

# Formulate Backwall Accent - 06

FMLT-WBWA-06

Formulate® Master Accents enhance the functionality of the Formula Master 20' Straight backwall and add more real estate for messaging too!



## features and benefits:

- Premium aluminum tube frames with snap button assembly
- Easy to store and ship
- Quick to set up
- Weighted feet for added stability
- Lifetime limited hardware warranty against manufacturer defects
- 48.94" w counter included on interior of accent provides lockable storage

## dimensions:

Hardware

Graphic

Assembled unit:

52" w x 99" h x 107.5" d  
1318mm(w) x 2514mm(h) x 2729mm(d)

Refer to related graphic template for more information.

Approximate weight with cases:

65 lbs / 28 kgs

Visit:

[www.exhibitors-handbook.com/graphic-templates](http://www.exhibitors-handbook.com/graphic-templates)

Shipping

Packing case(s):

1 OCL Case  
1 OCFM Case

Shipping dimensions:

OCL:  
57" l x 19" w x 19" h  
1448mm(l) x 483mm(w) x 483mm(h)

OCFM:

49" l x 39" w x 15" h  
1245mm(l) x 991mm(w) x 381mm(h)

Approximate total shipping weight

(includes cases & graphics):  
92 lbs / 40 kgs

## additional information:

Graphic material:  
dye-sublimation zipper pillowcase fabric

Tabletop Colors



silver

black

mahogany

natural

We are continually improving and modifying our product range and reserve the right to vary the specifications without prior notice. All dimensions and weights quoted are approximate and we accept no responsibility for variance. E&OE. See Graphic Templates for graphic bleed specifications.

# Included In Your Kit

Tools, Components, & Connectors



ALLEN KEY SET x1



TC-30-T x2



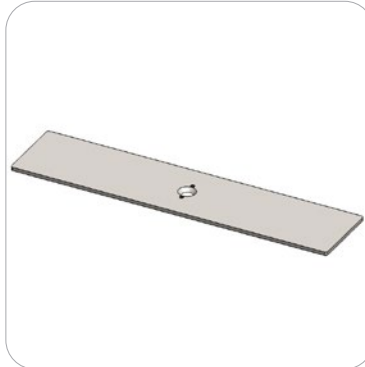
TC-30-90-T x6



ES30-90B x2



LN114-SCRW x2



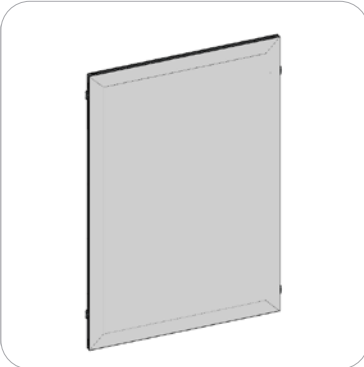
LN114-S2-450 x2



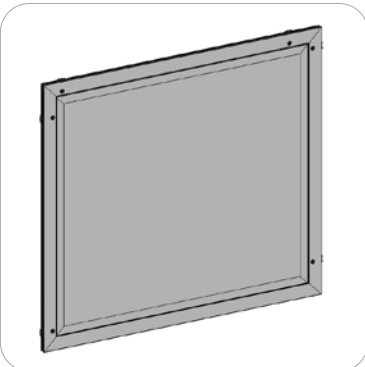
SS1-S x4



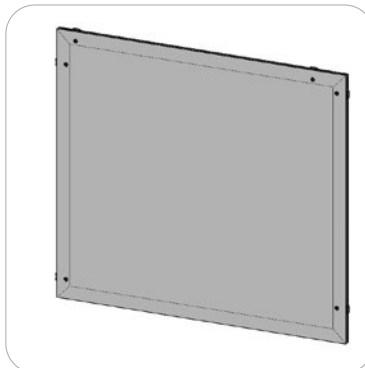
P90S-900 x4



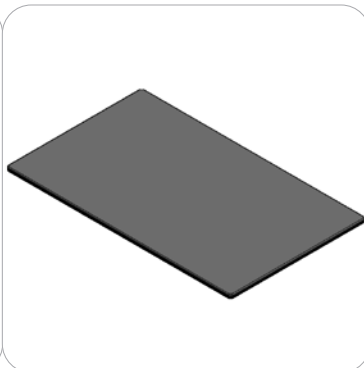
LP-600-900-ULI x2



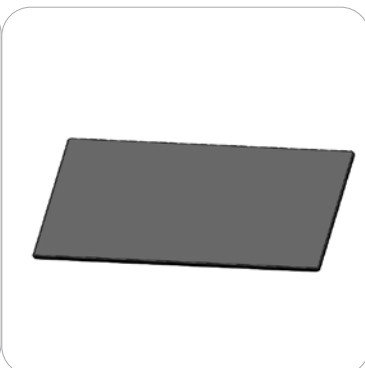
LP-CD-1000-900 x1



LP-1000-900-ULI x1



SHLF-FMLT-WBWA-06 x1



CT-FMLT-WBWA-06 x1

# Included In Your Kit

Tubes



FMLT-WBWA-06-T1 x2



FMLT-WBWA-06-T2 x2



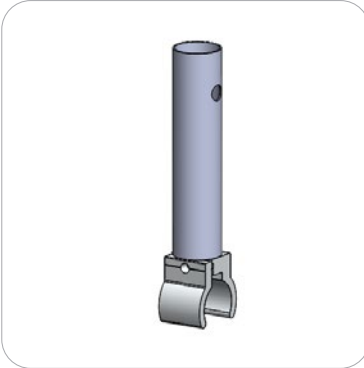
FMLT-WBWA-06-T3 x2



FMLT-WBWA-06-T4 x2



FMLT-WBWA-06-T5 x2



FMLT-WBWA-06-T6 x4



FMLT-WBWA-06-T7 x1

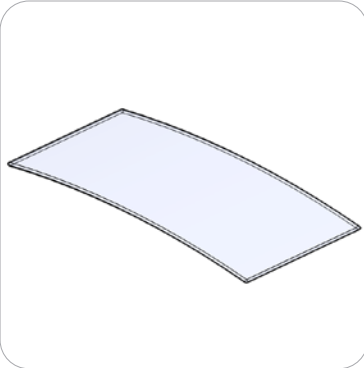


FMLT-WBWA-06-T9 x3

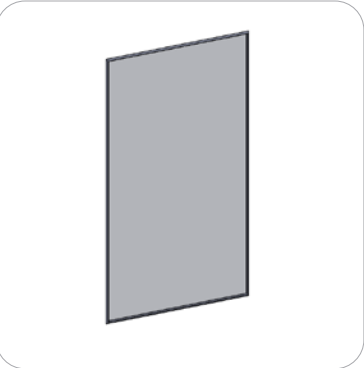


FMLT-WBWA-06-T10 x4

Graphics



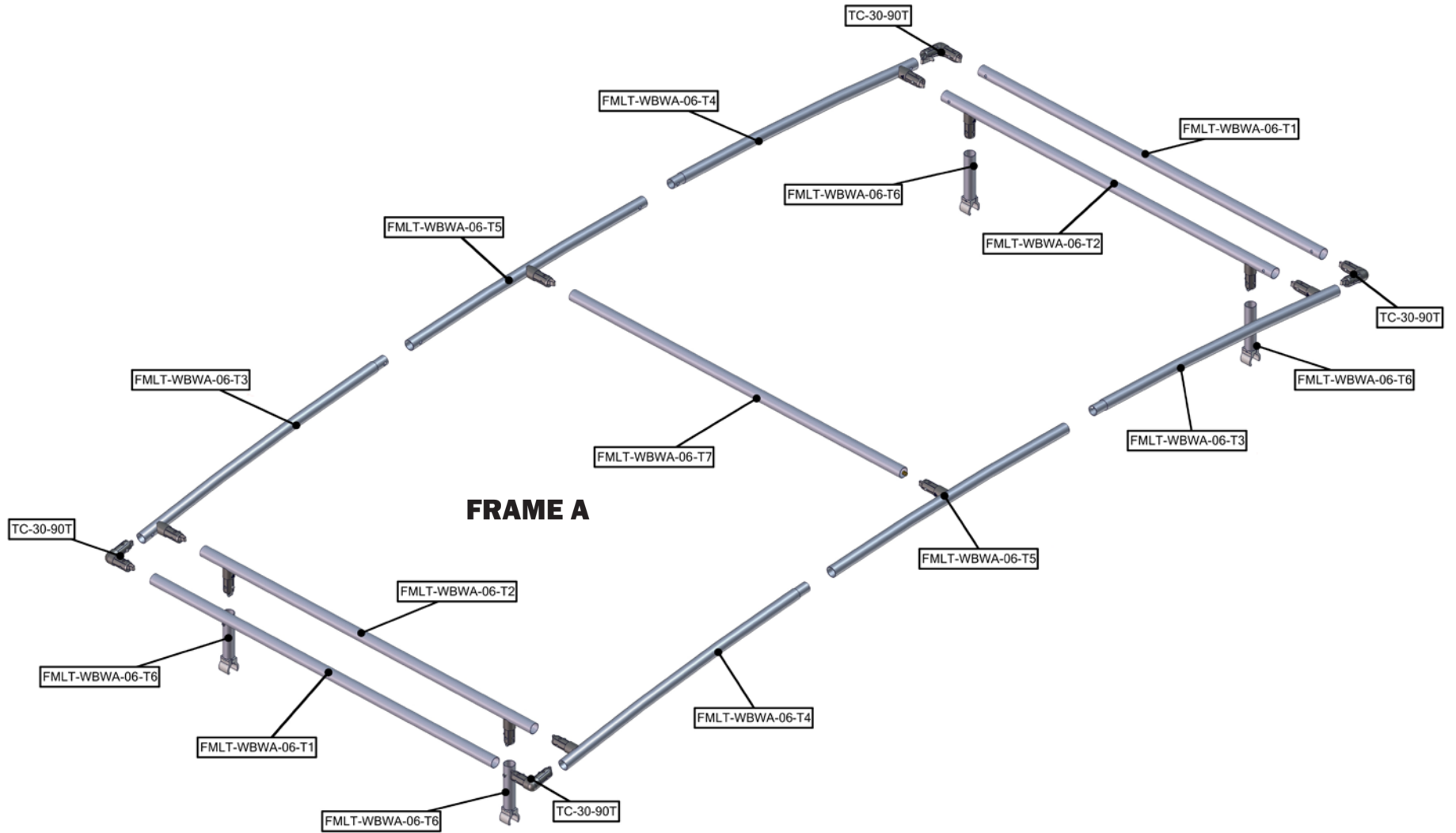
FMLT-WBWA-06-A-G x1



FMLT-WBWA-06-B-G x1

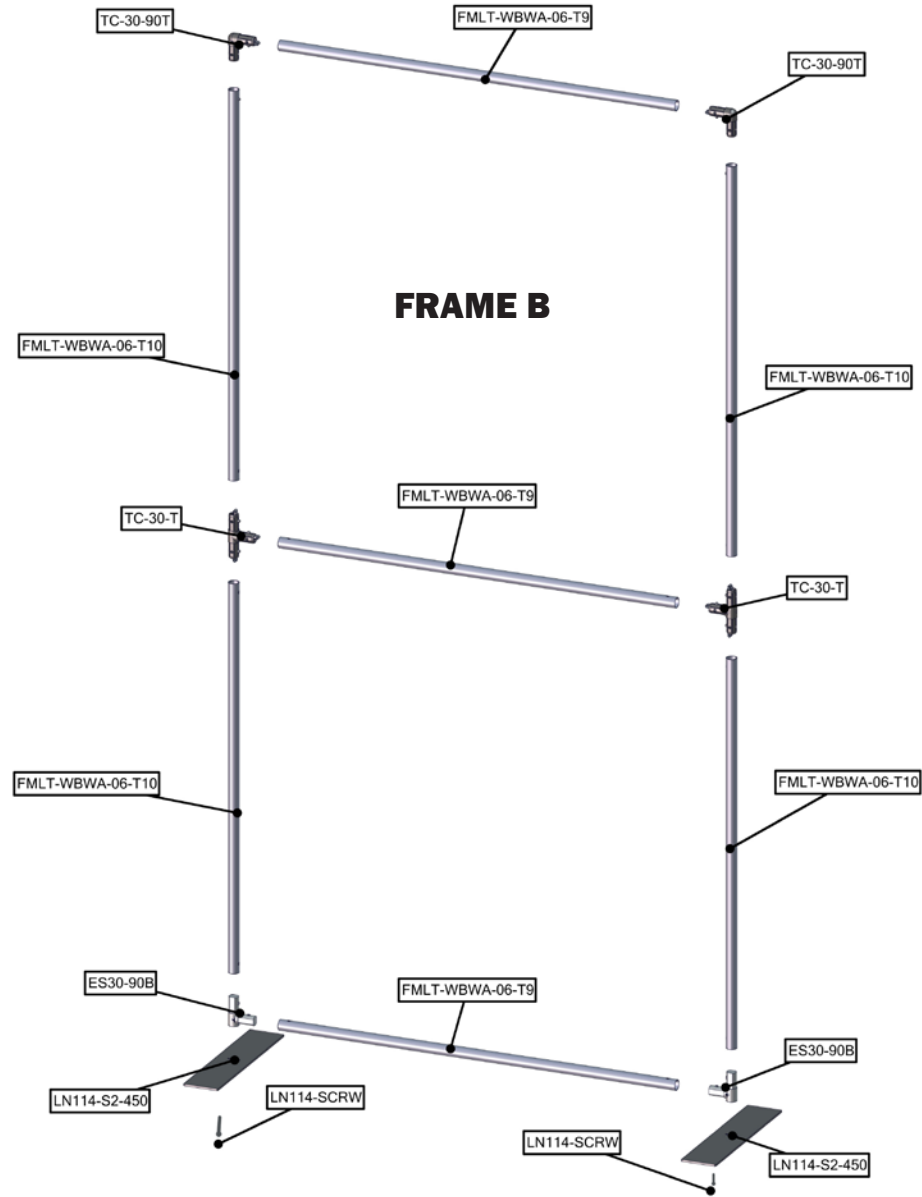
# Exploded View

## FMLT-WBWA-06



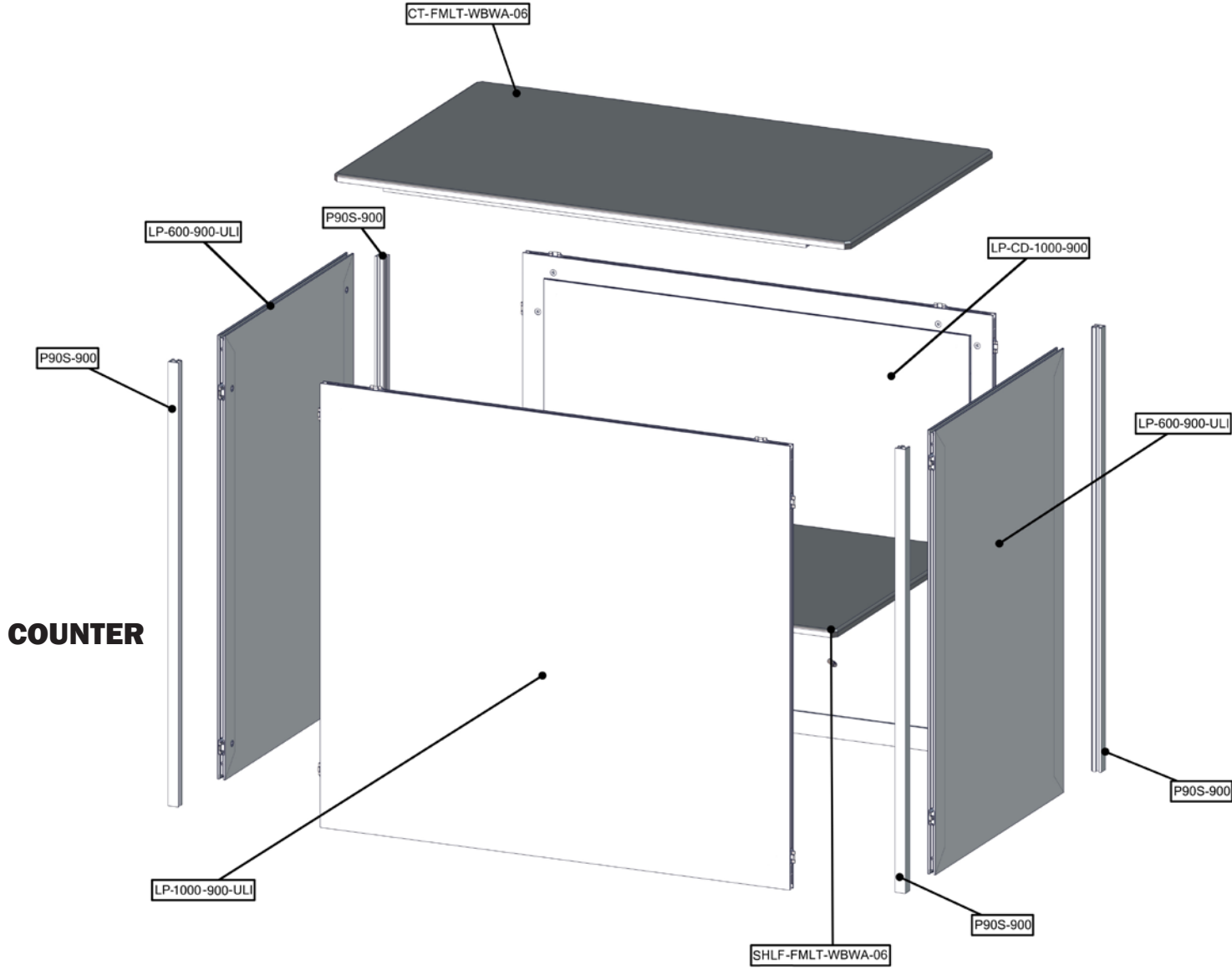
# Exploded View

FMLT-WBWA-06



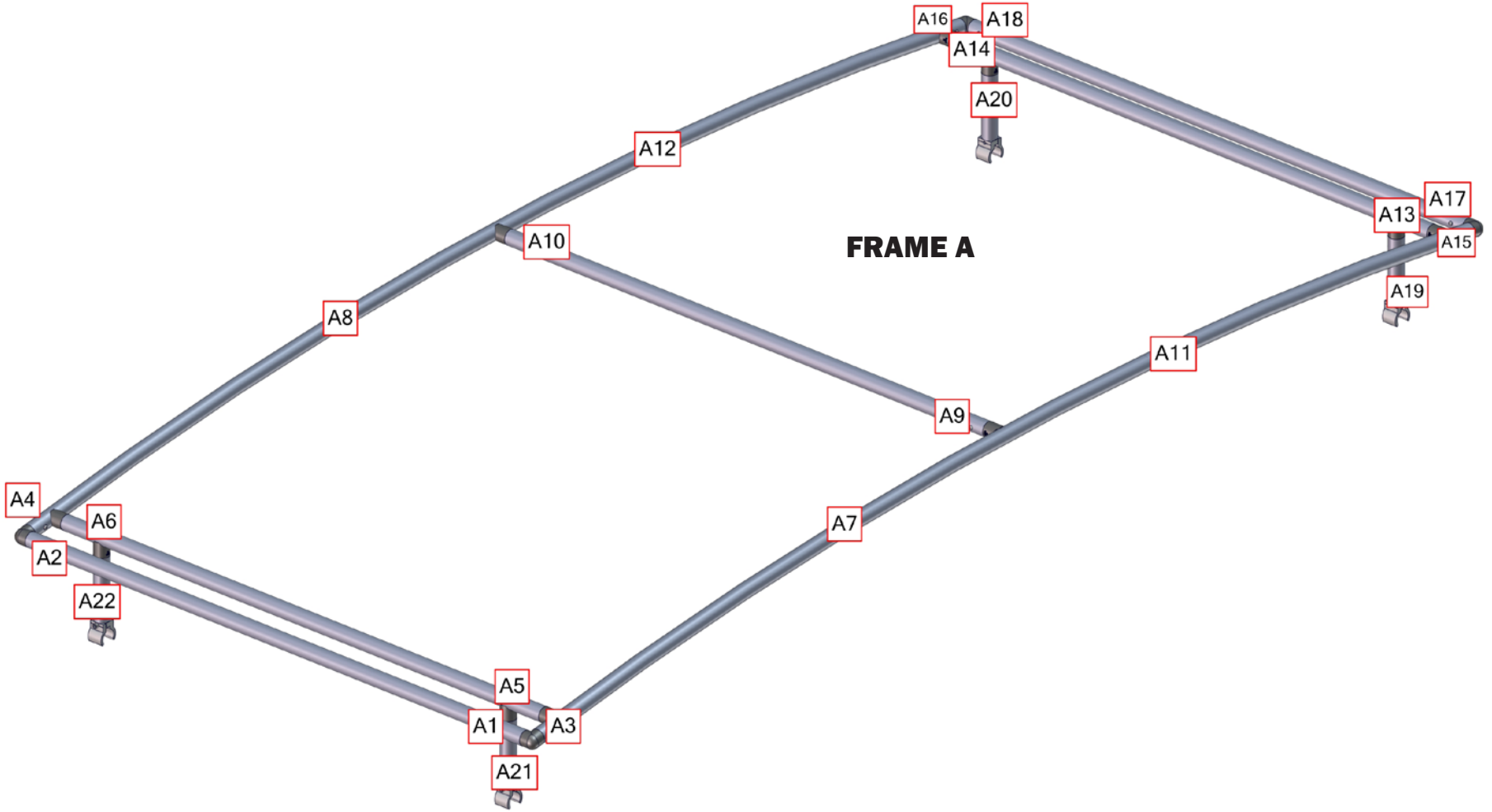
# Exploded View

FMLT-WBWA-06



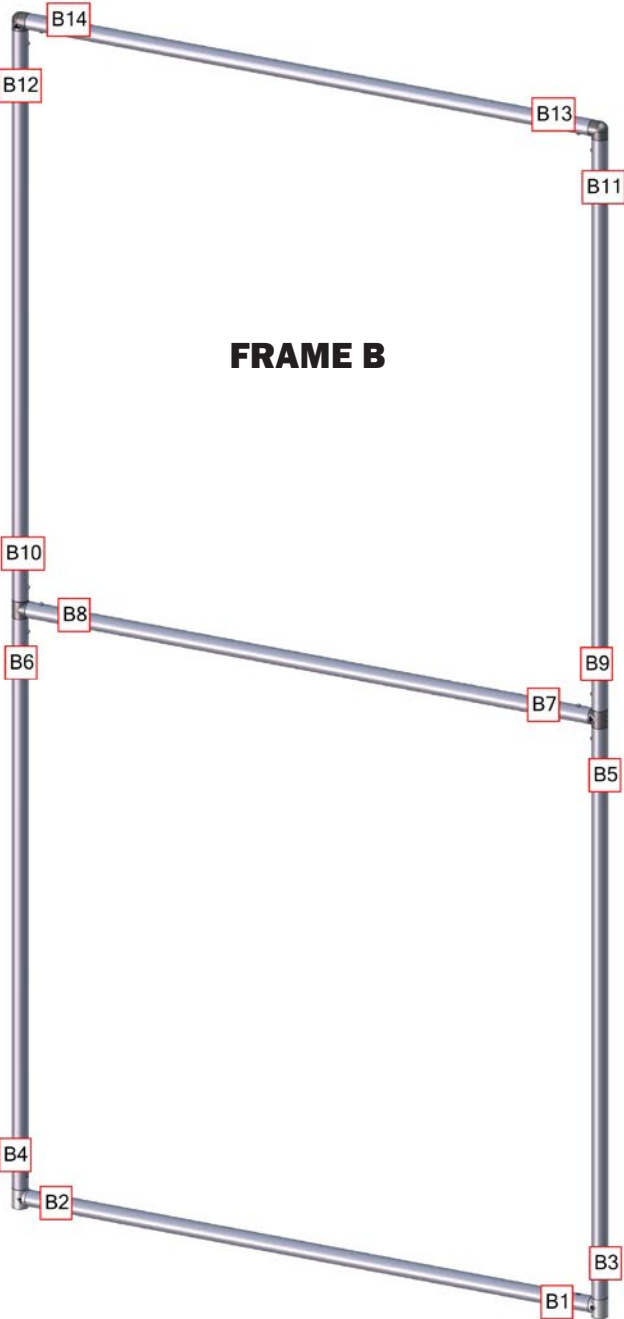
# Labeling Diagram

FMLT-WBWA-06



# Labeling Diagram

FMLT-WBWA-06

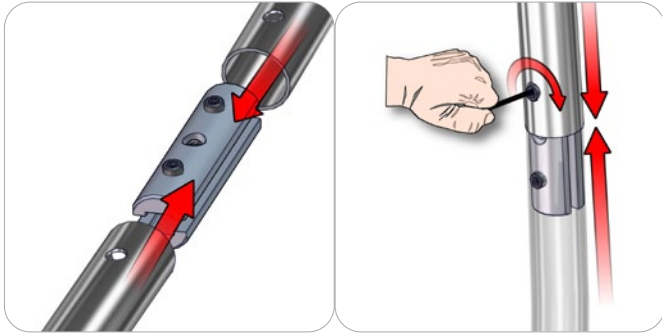




# Connection Methods

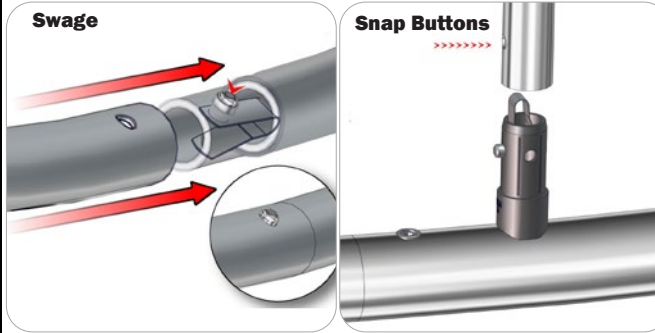
Formulate® structures use a number of different yet simple connection methods. Your kit will include one or more of the connection methods shown below. Steps within the Kit Assembly will reference a specific method for each connection point.

## Connection Method 1: ES30 / ES50 / ES75



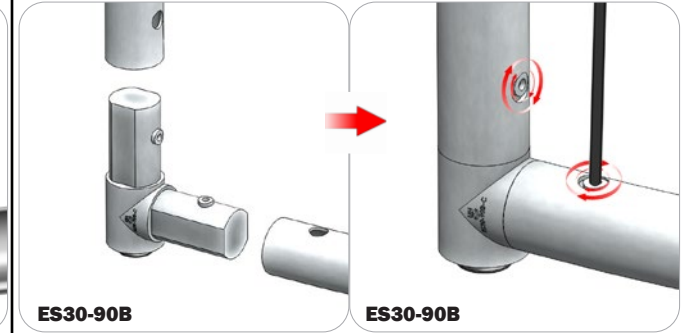
Compress the unlocked connector and slide one tube onto each end. Lock both screws carefully using your allen key tool. Be sure to lock securely, but do not overtighten.

## Connection Method 2: Snap Buttons & Swage



Locate the snap button on the connector or swage tube. Locate the hole on the corresponding tube. Press the snap button with your thumb and slide the tube and connector together so that the snap button snaps fully into the lock hole. To disassemble, press the snap button and pull apart.

## Connection Method 3: ES30-90B / ES30-I / ES30-C



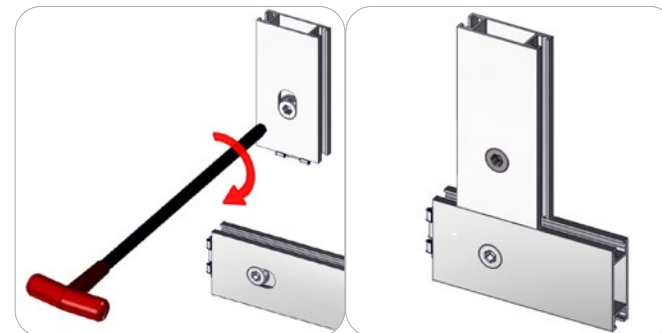
Compress one unlocked end of the connector and slide it through one tube end. Compress the other end of the connector and slide the second tube on. Lock both screws carefully using your allen key tool. Be sure to lock securely, but do not overtighten.

## Connection Method 4: Tube Clamps



Be sure to fully assemble all frames before using clamps. With the clamp unlocked, place one tube of the first frame into the mouth of the clamp. Place the second tube (if applicable) into the second mouth of the clamp. With both frame's tubes in the clamp, be sure to lock securely, but do not overtighten.

## Connection Method 5: Cam Lock / Slide Lock



A cam lock equipped extrusion can lock to any cam lock channel. With the cam lock unlocked, set the teeth of the cam lock into the desired position on the cam lock channel. Using your allen key tool, carefully turn the lock clockwise to lock in place. Be sure to lock securely, but do not overtighten.

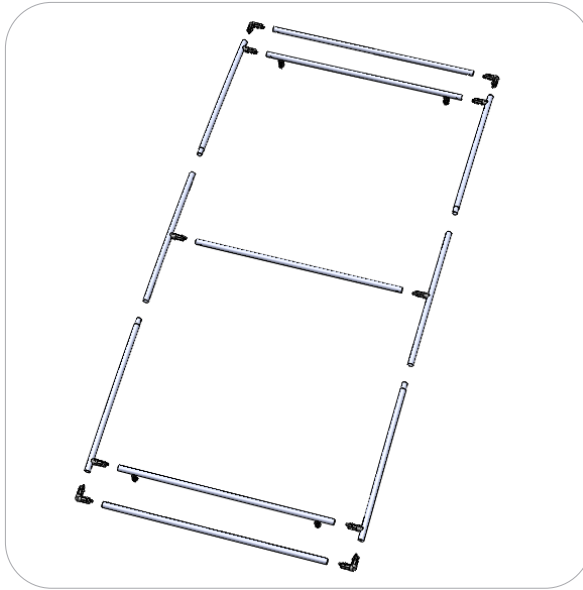
# Kit Assembly

## Step by Step

### Step 1.

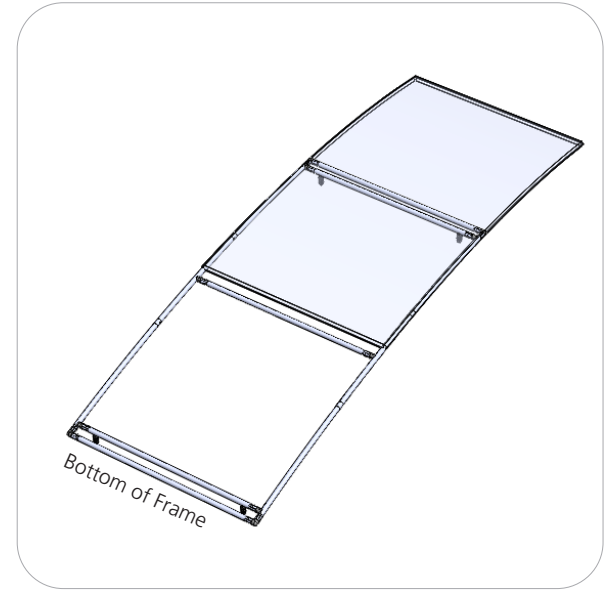
Locate the components necessary for assembling your Frame A. Assemble in order according to the Labeling Diagram. Do not attach FMLT-WBWA-06-T6 tube and clamp assemblies as these must be added in a later step.

Please reference Connection Method 2 for more details.



### Step 2.

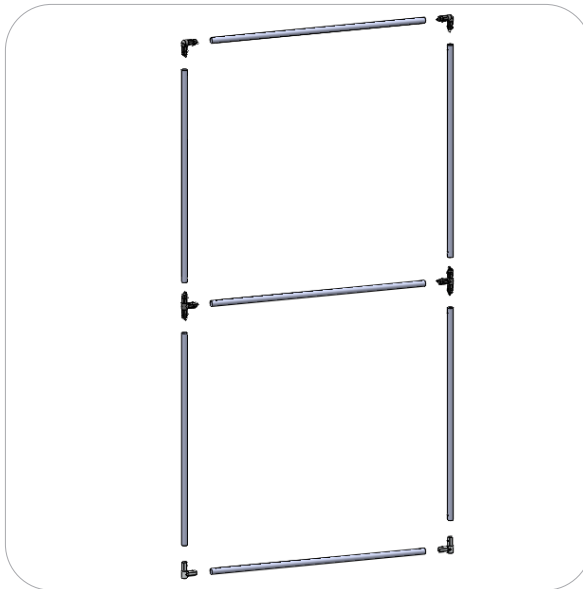
Apply the FMLT-WBWA-06-A-G over your Frame. Zip your pillowcase to encase the frame.



### Step 3.

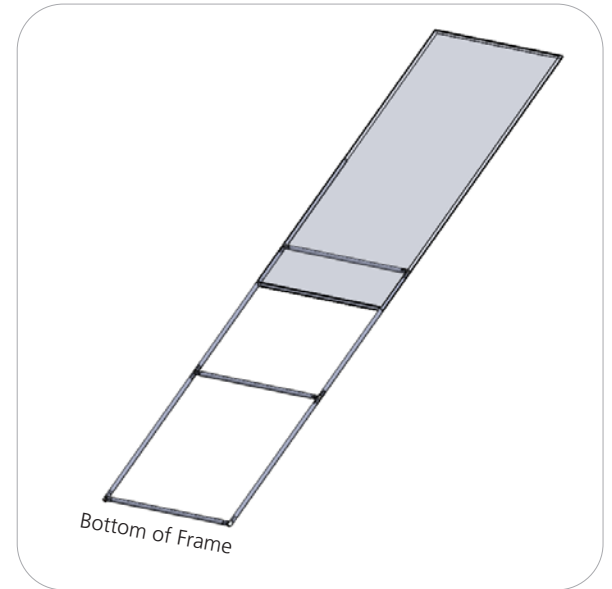
Locate the components necessary for assembling Frame B. Assemble Frame B in order according to the Labeling Diagram.

Please reference Connection Methods 2 & 3 for more details.



### Step 4.

Apply the FMLT-WBWA-06-B-G over Frame B. Zip your pillowcase to encase the frame.



# Kit Assembly

## Step by Step

### Step 5.

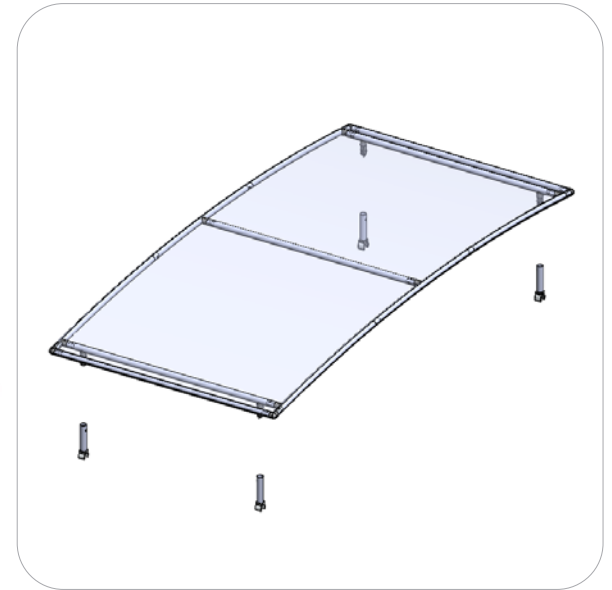
Attach the LN114-S2-450 to Frame B using the LN114-SCRWS on both left and right sides of the frame.



### Step 6.

Apply the FMLT-WBWA-06-T6 tube and clamp assemblies to Frame A.

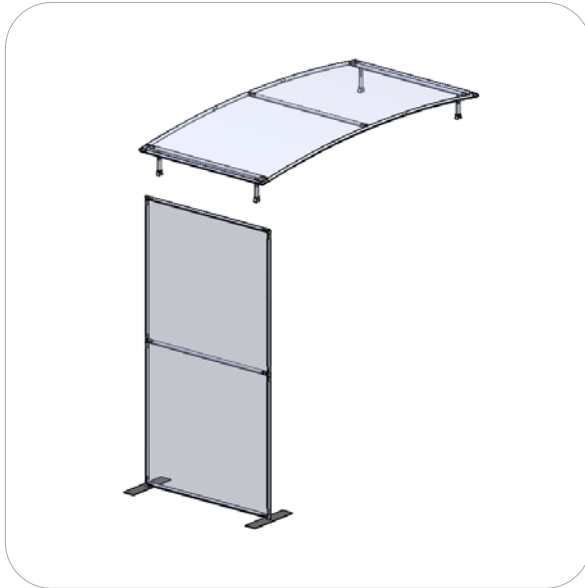
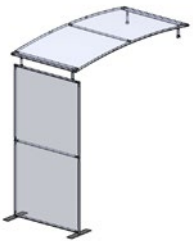
Please reference Connection Methods 2 & 4 for more details.



### Step 7.

Connect one side of Frame A to the top of Frame B using the tube clamps.

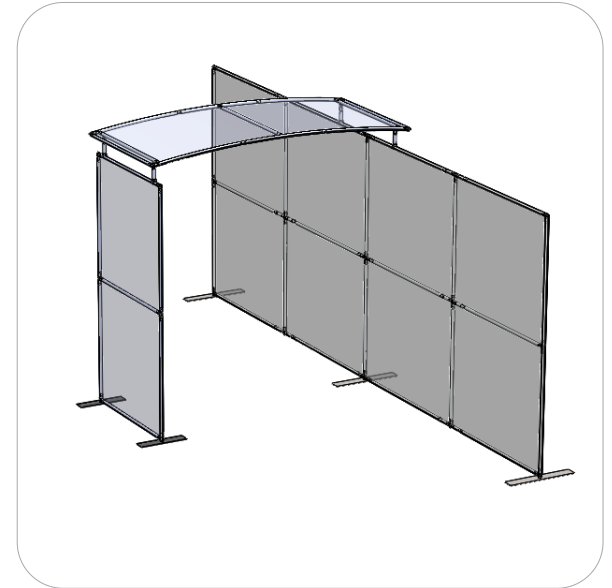
Please reference Connection Method 4 for more details.



### Step 8.

Connect the other side of your Canopy to the top of your backwall.

Please reference Connection Method 4 for more details.



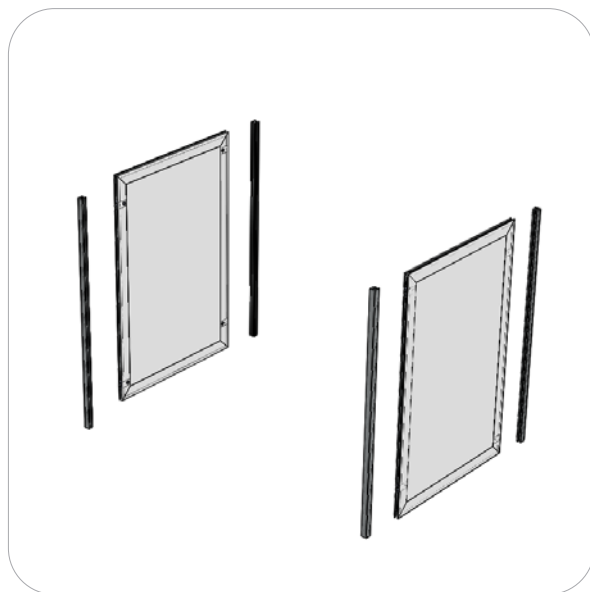
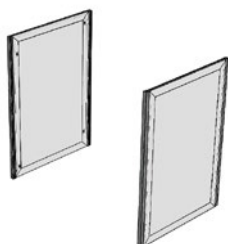
# Kit Assembly

## Step by Step

### Step 9.

Gather your LP-600-900-ULI panels and P90S-900 extrusions. Lock the panels to the extrusion's channels using the internal locks.

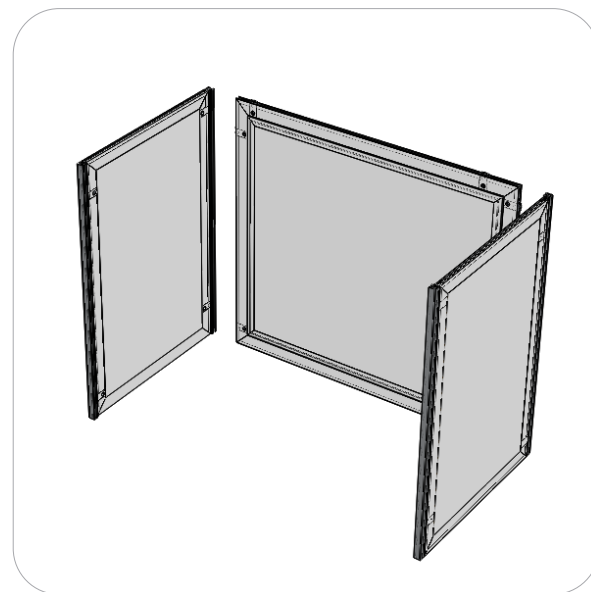
Please reference Connection Method 5 for more details.



### Step 10.

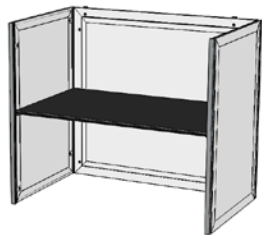
Locate your LP-CD-1000-900 cabinet door. Lock into place being sure the door opens outward from the counter.

Please reference Connection Method 5 for more details.



### Step 11.

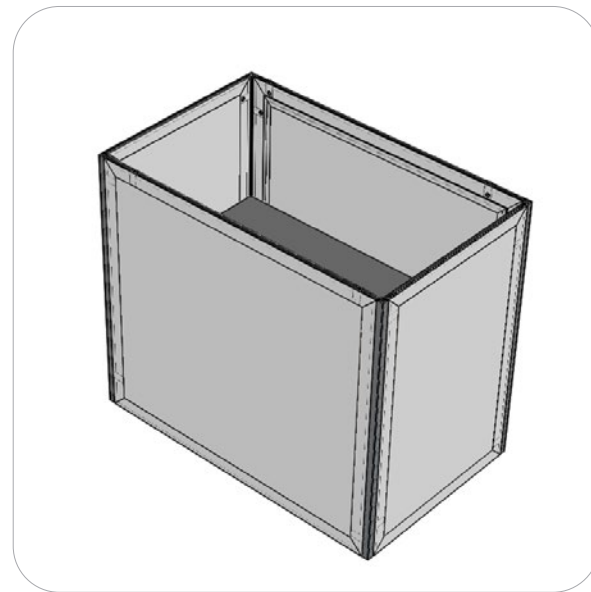
Lock your SS1 shelf supports into the internal channels of the P90S extrusions. Measure from the bottom of the counter to ensure all four SS1 supports are level. Set your internal shelf onto the SS1 supports.



### Step 12.

Locate your LP-900-1000-ULI panel. Lock into place to enclose the front of your counter.

Please reference Connection Method 5 for more details.



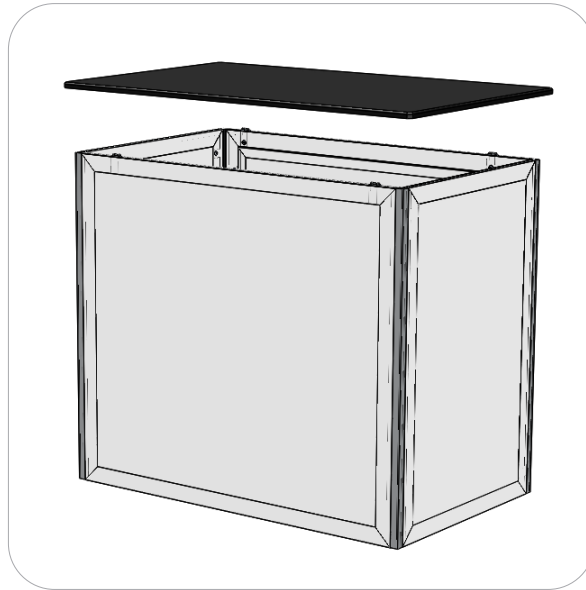
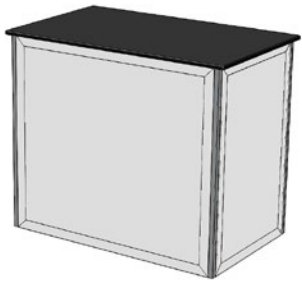
# Kit Assembly

## Step by Step

### Step 13.

Apply your counter top to the counter. You will need to reach in through the cabinet door to lock your counter top to the counter.

Please reference Connection Method 5 for more details.



### Step 14.

Place your assembled counter in your kit assembly.

