

Vector Frame Kit 07

VF-K-07

Stand apart from the competition with a state-of-the-art, modern Vector Frame Kit. The Vector Frame Kit series is a collection of extrusion-based, dye-sublimated fabric mural graphic displays. Vector Frame Kits are easy to assemble and dismantle.



features and benefits:

- Heavy-duty 50mm silver extrusion frame
- Single-sided SEG dye-sublimated fabric graphics
- Easy step-by-step instructions
- Kit includes frame, six fabric graphics, three 120 watt floodlights, and three wheeled molded cases
- Lifetime hardware warranty against manufacturer defects

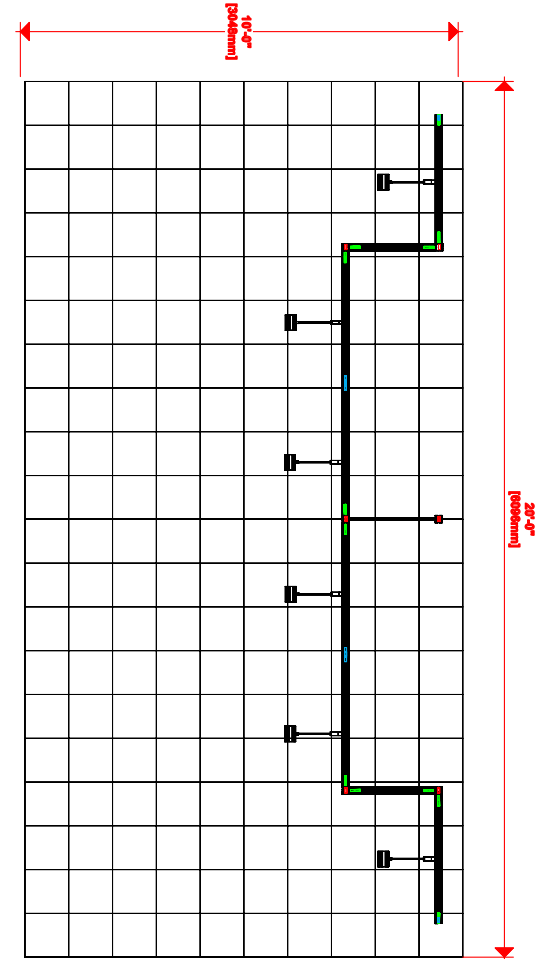
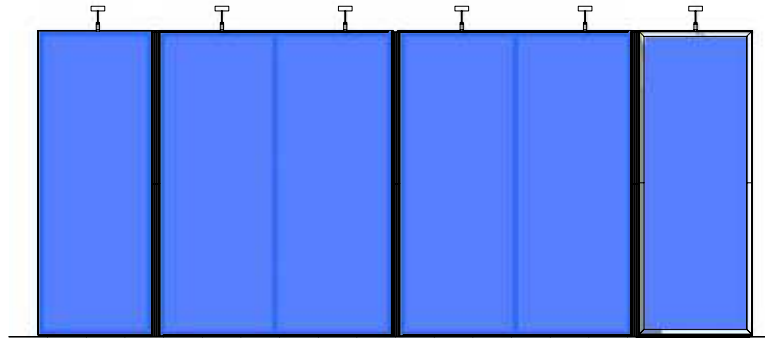
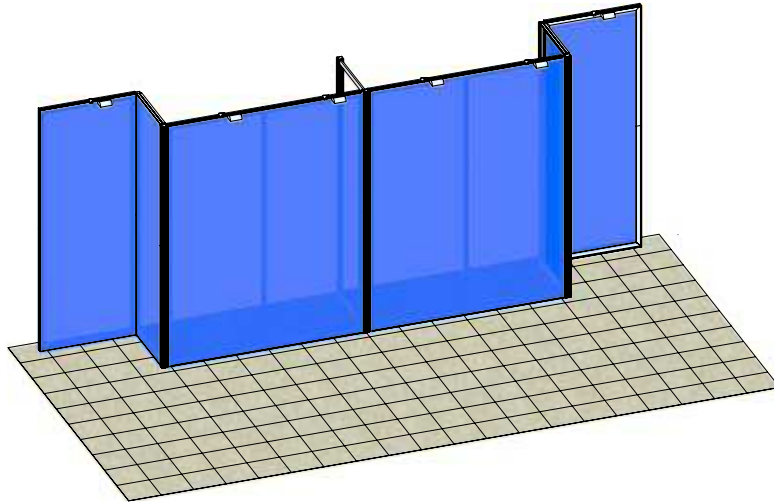
dimensions:

Hardware	Graphic
<p>Assembled unit: 220.5"(w) x 94.5"(h) x 27.375"(d) approx. 5600mm(w) x 2400mm(h) x 700mm(d)</p>	<p>Panels A, F: Total visible area: 35.4375"w x 94.5"h 900mm(w) x 2400mm(h)</p> <p>Panels B, E: Total visible area: 23.625"w x 94.5"h 600mm(w) x 2400mm(h)</p>
<p>Shipping</p> <p>Shipping dimensions - ships in 3 cases Each OCH2 case: 52"(l) x 30"(w) x 15"(h) 1320mm(l) x 760mm(w) x 380mm(h)</p> <p>Approximate shipping weight (entire kit): 270 lbs/122.5 kg</p>	<p>Panels C, D: Total visible area: 70.86"w x 94.5"h 1800mm(w) x 2400mm(h)</p> <p>Refer to related graphic templates for more information</p>

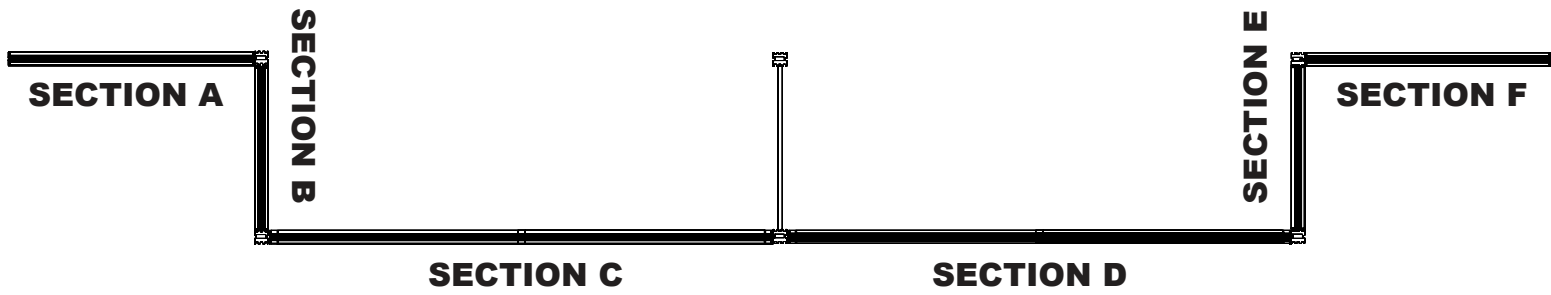
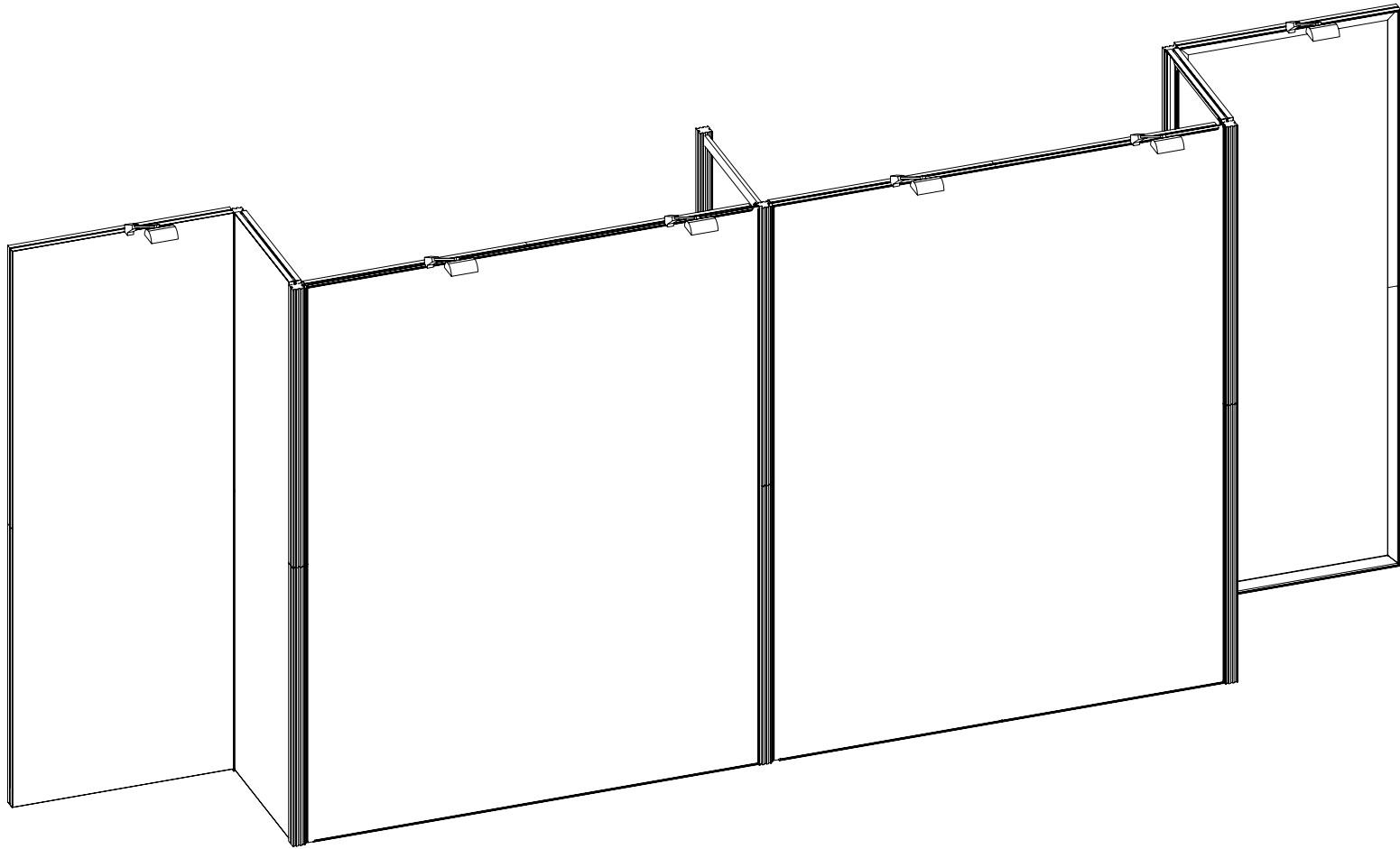
additional information:

<p>Graphic material: Dye sublimated fabric</p>	<p>Lights included: Lumina 200 120 watt floodlight, curved arm, black finish, 19.5" from end to end</p>
--	---

Parts included		
Part Label	Qty	Part code
F2	x4	PH-1155-S-L1
F6	x10	PHFC2-1200-2L
F7	x4	PHFC2-1200-2
F8	x10	PHFC2-1200-2L
F10	x4	PHFC2-900-1
F13	x4	PHFC2-900-2
F15	x4	PHFC2-900-2
F16	x4	PHFC2-600-1
VE-16	x2	PH-600-S-S
VE-39	x12	PM2S-1200-A-A
VE-45	x6	PH4-300
Panel A	x1	-
Panel B	x1	-
Panel C	x1	-
Panel D	x1 </td <td>-</td>	-
Panel E	x1	-
Panel F	x1	-
Corner Lock	x24	CB9
Lock Connector	x18	IB2
Light	x6	-

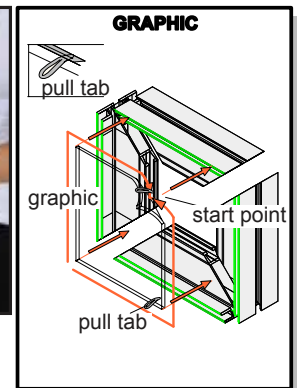
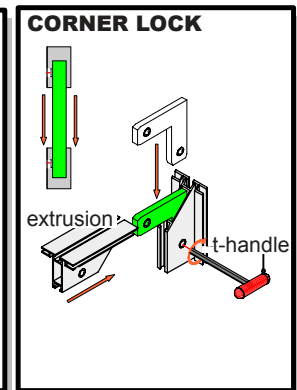
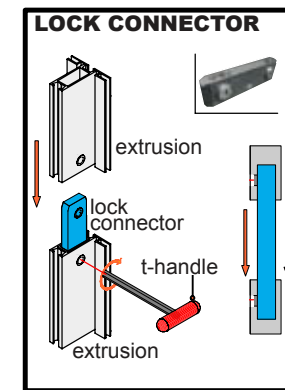
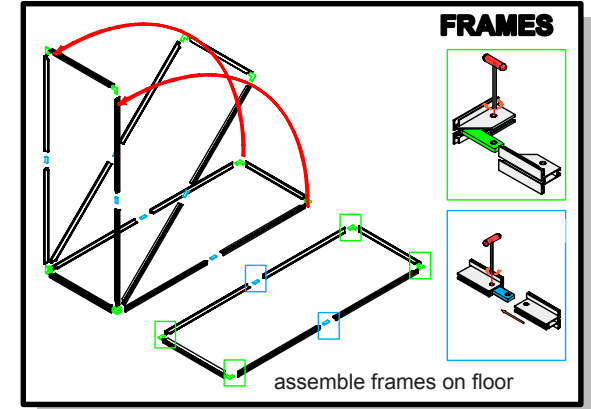
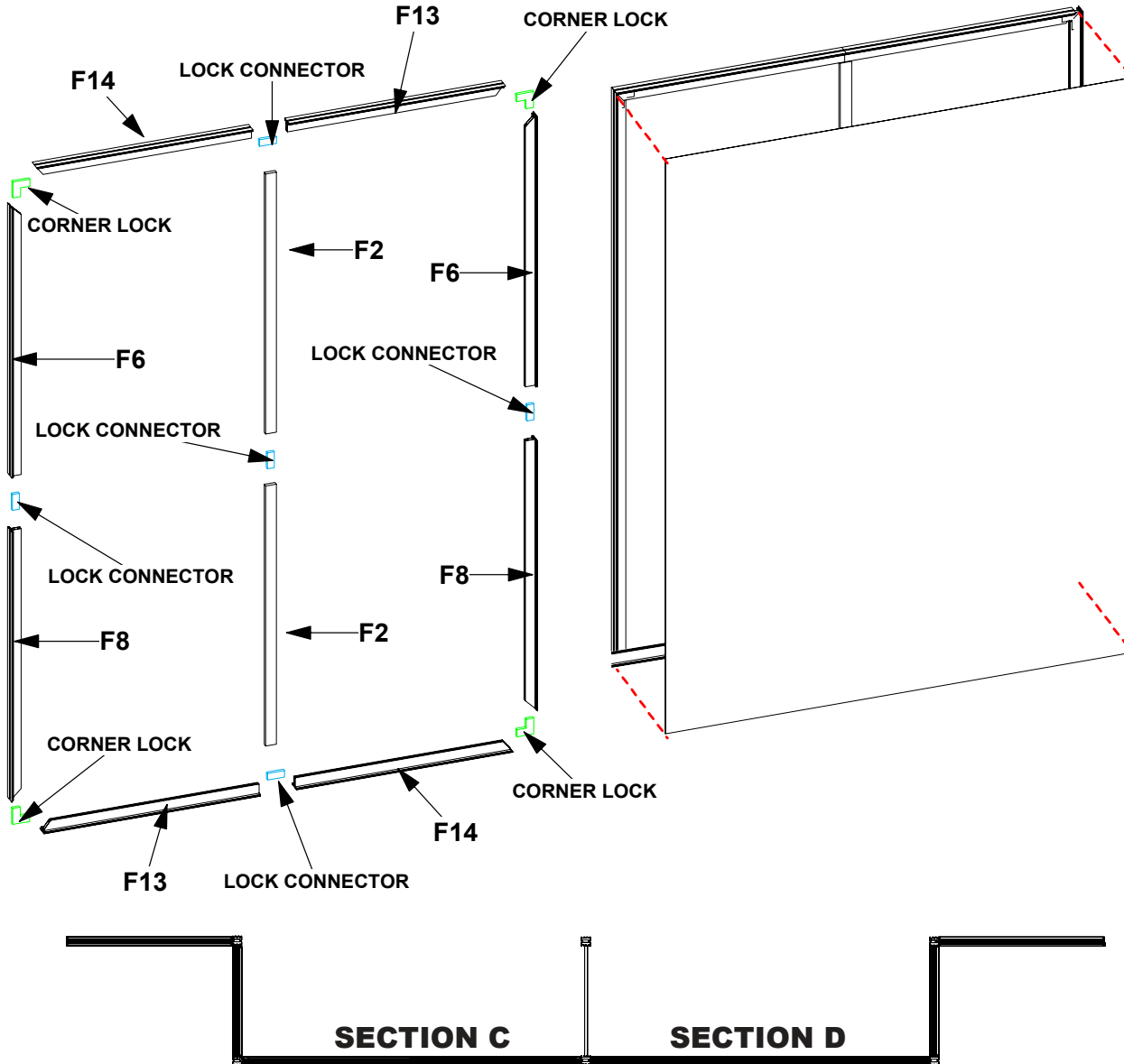


Tool kit	x1	V-TK-01
Steamer	x1	STEAMER
Step Stool	x1	STEPSTOOL



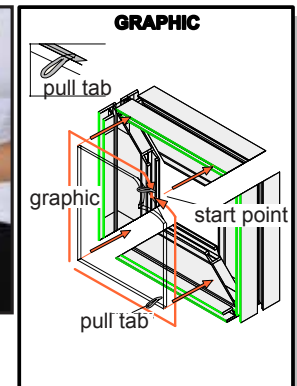
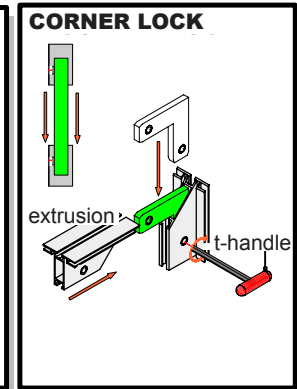
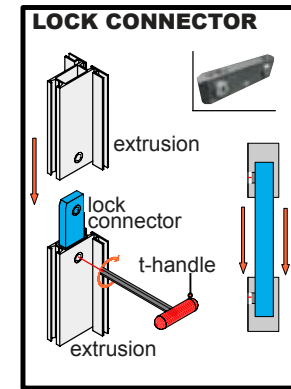
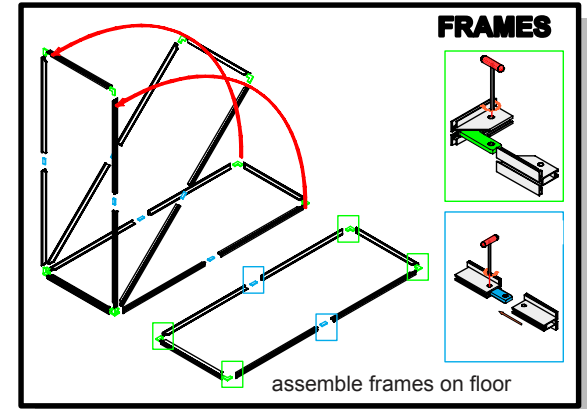
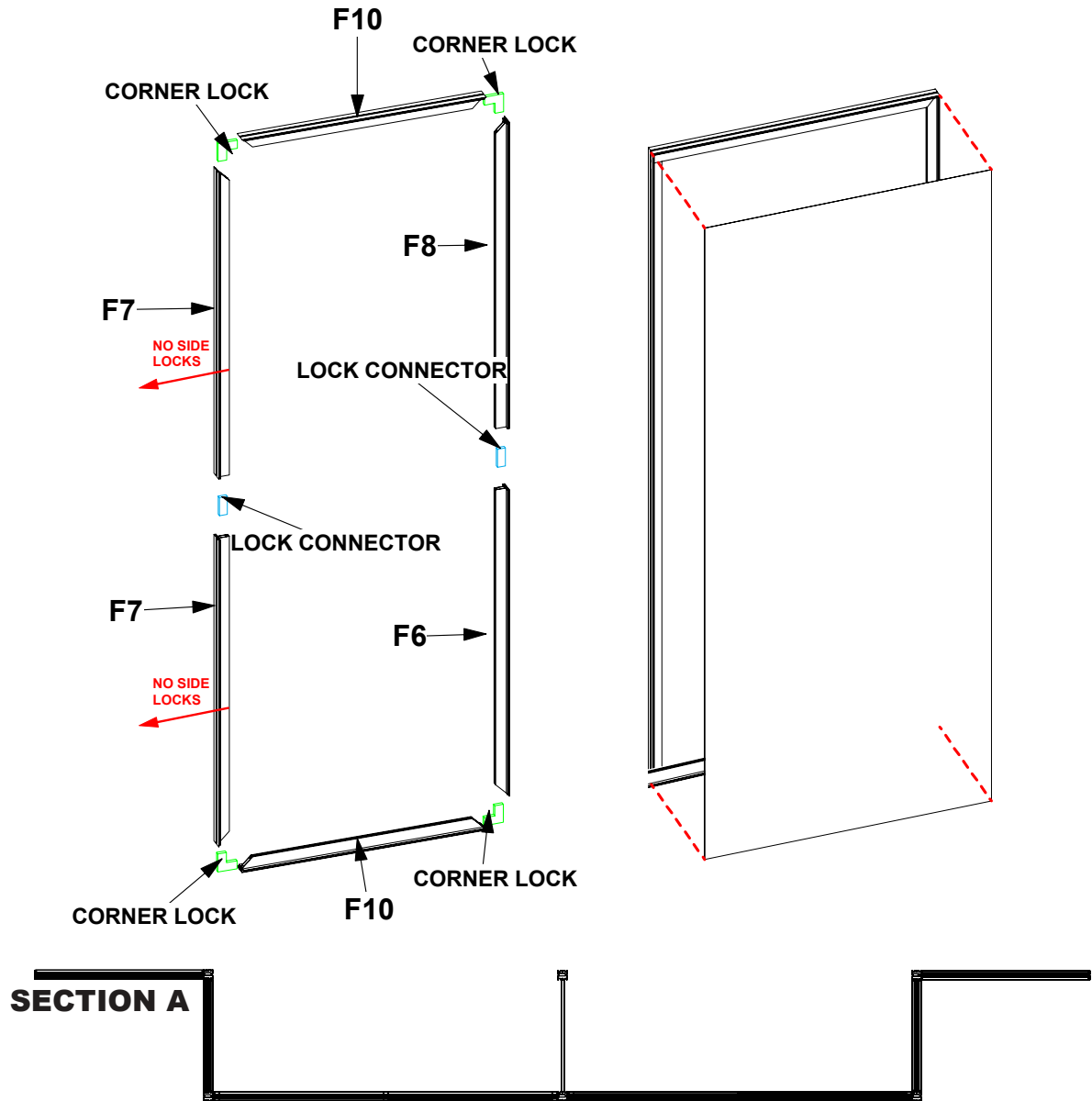
Step 1. Assemble Sections C & D

Arrange pieces on the floor as shown in the diagram below. Connect the F8s and F6s with lock connectors to create uprights. Connect the F2s with a lock connector. Connect the F14s and F13s with lock connectors to create horizontals. Insert a corner lock into both ends of the horizontals. Attach center upright to horizontals. Slide the corner locks in the horizontals into the remaining two uprights. When locking be sure to turn each cam a little bit and then go back and tighten both to the proper tension. Take care to turn locks only half a turn. All locks face back. Push the rubber gasket in edge of graphic into the channel on the frame. Start in upper left corner, go across the top and then down the sides to the bottom. Assure each graphic is tightly inserted. When taking graphics off, take care to gently pull by attached pull tab. Set frames aside.



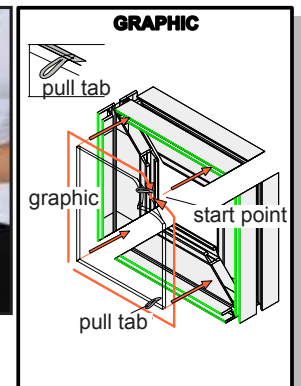
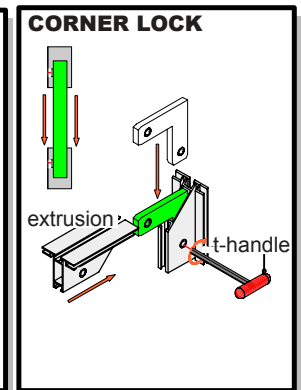
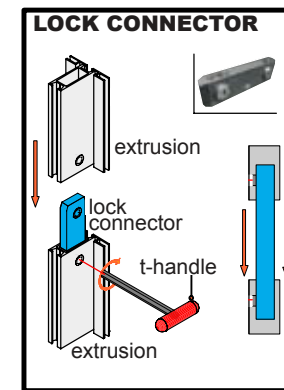
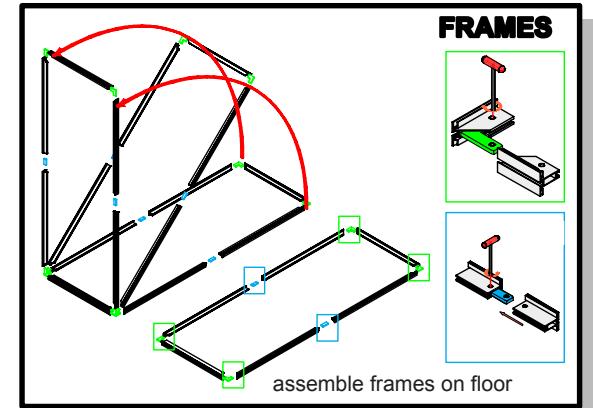
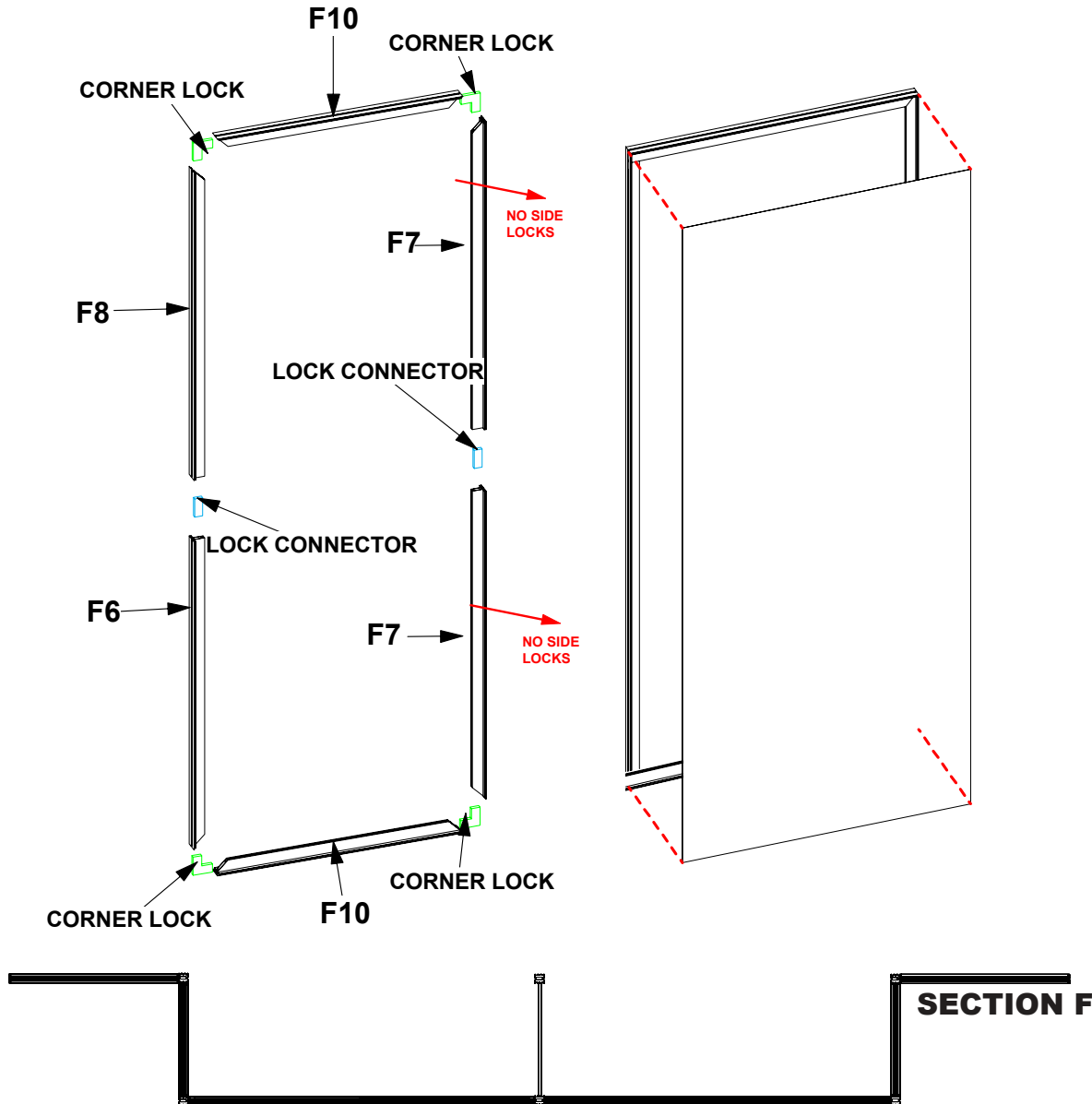
Step 1. Assemble Section A

Arrange pieces on the floor as shown in the diagram below. Connect F8 and F6 with a lock connector. Connect the F7s with a lock connector. Insert a corner lock into place on both ends of the F10s. Slide F10s into the uprights and assure all locks are tightened. All locks face back. Push the rubber gasket in edge of graphic into the channel on the frame. Start in upper left corner, go across the top and then down the sides to the bottom. Assure each graphic is tightly inserted. When taking graphics off, take care to gently pull by attached pull tab. Set frame aside.



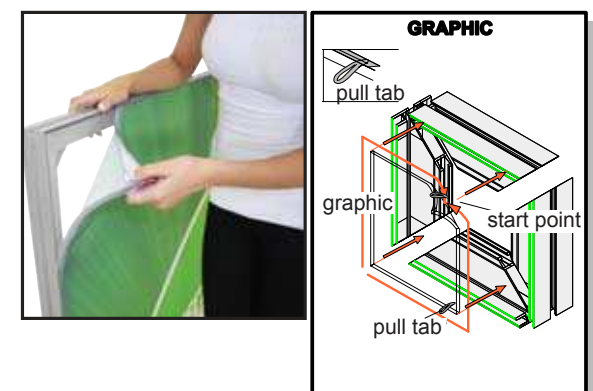
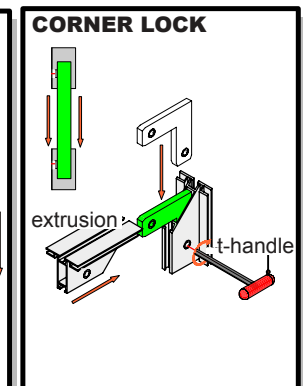
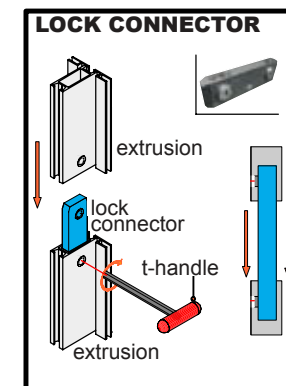
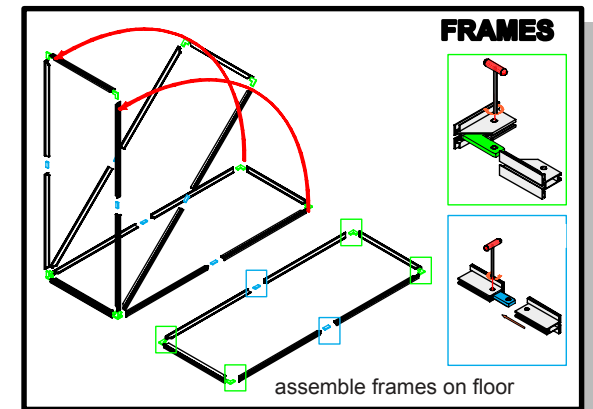
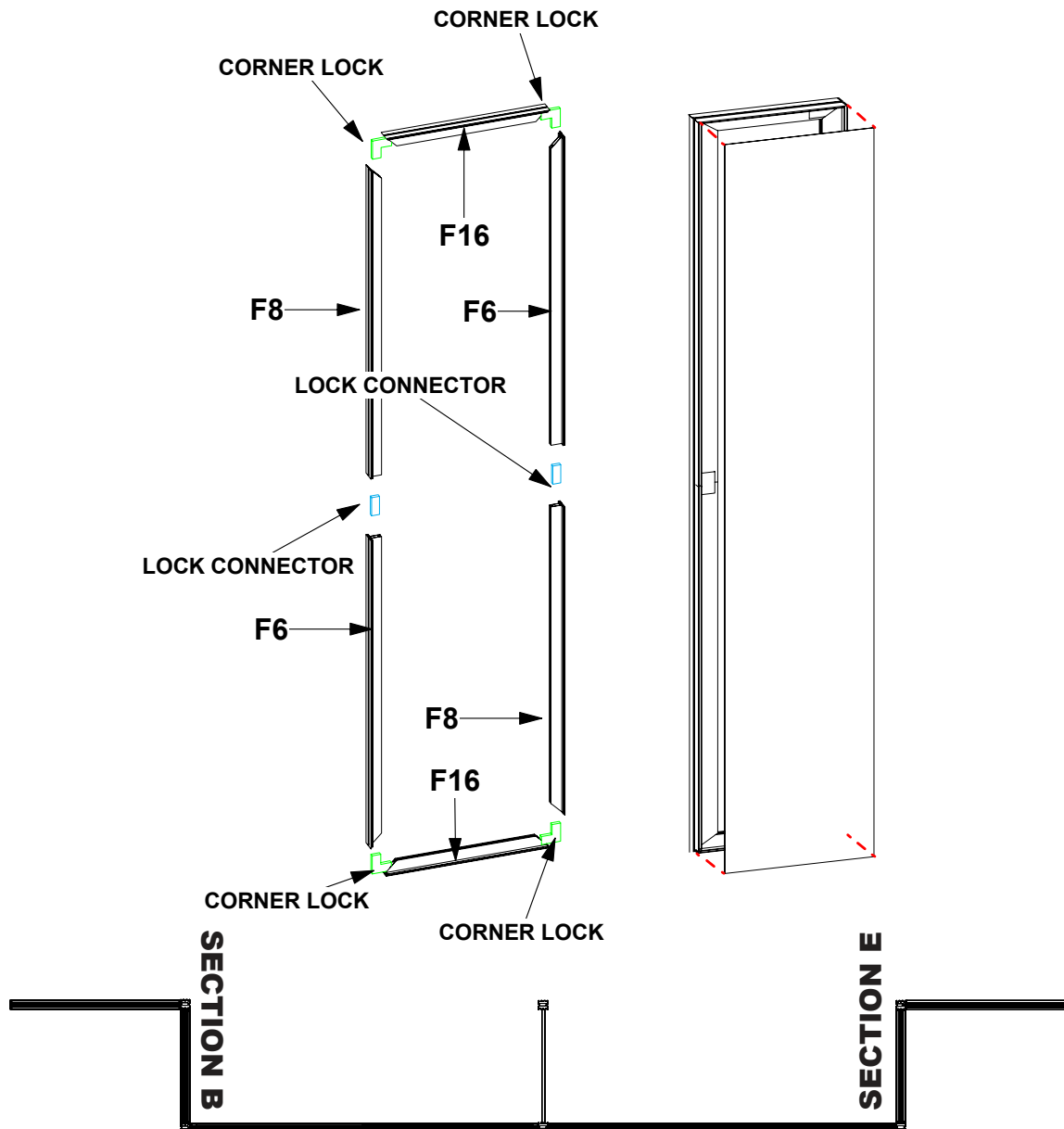
Step 1. Assemble Section F

Arrange pieces on the floor as shown in the diagram below. Connect F8 and F6 with a lock connector. Connect the F7s with a lock connector. Insert a corner lock into place on both ends of the F10s. Slide F10s into the uprights and assure all locks are tightened. All locks face back. Push the rubber gasket in edge of graphic into the channel on the frame. Start in upper left corner, go across the top and then down the sides to the bottom. Assure each graphic is tightly inserted. When taking graphics off, take care to gently pull by attached pull tab. Set frame aside.



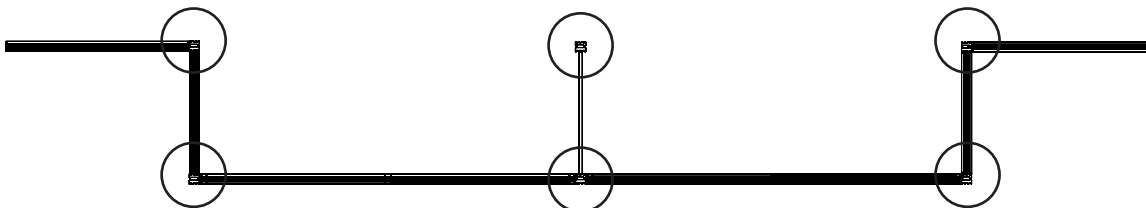
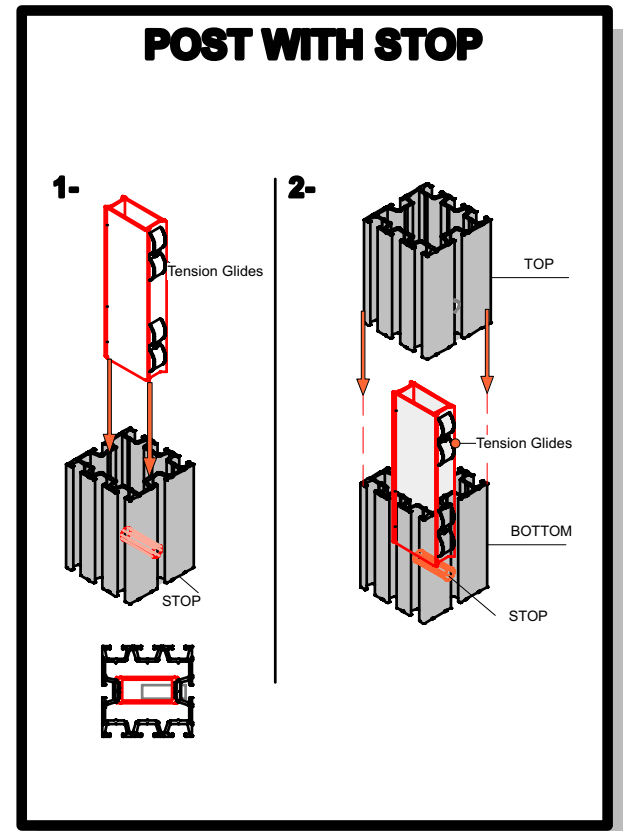
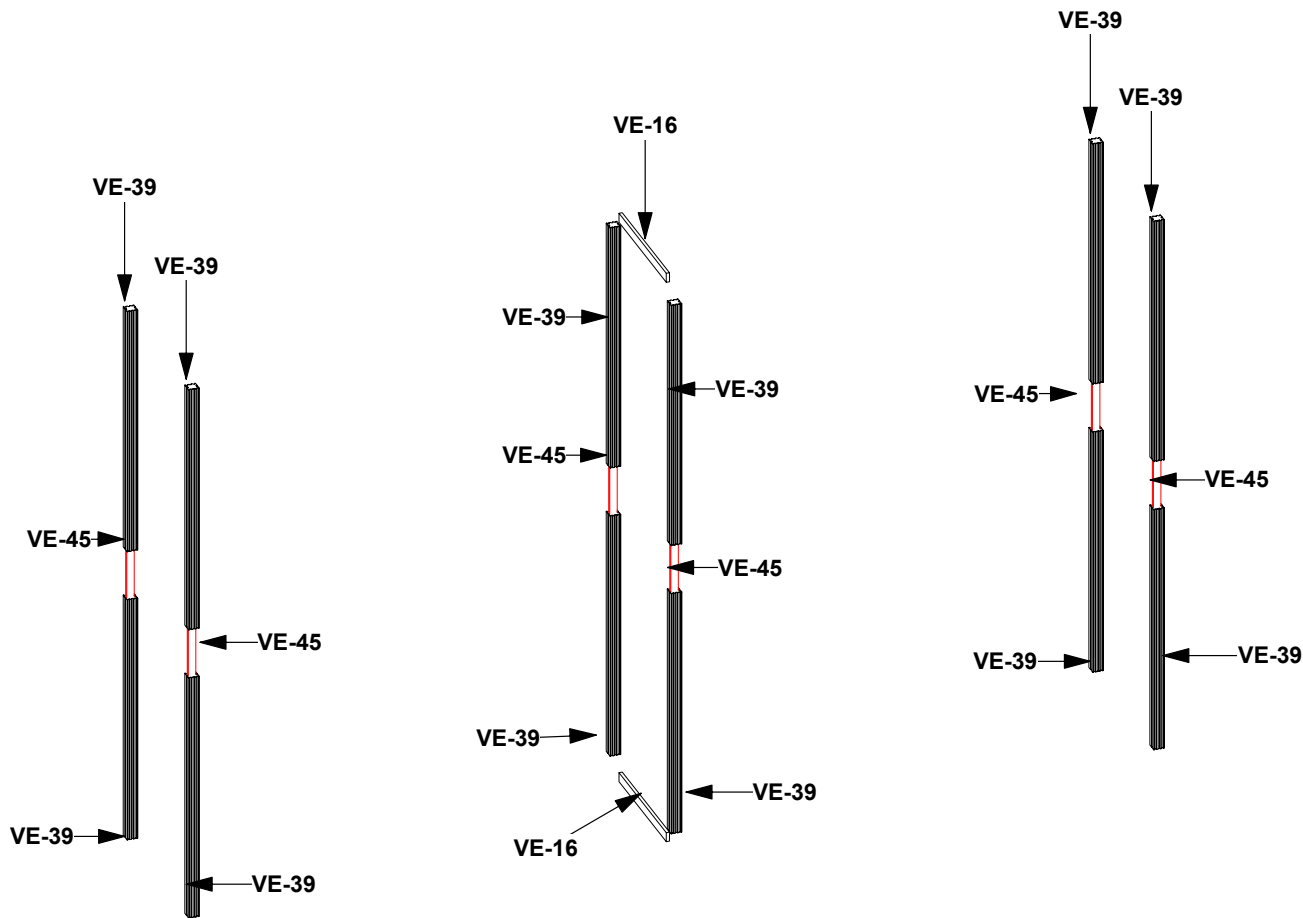
Step 1. Assemble Sections B & E

Arrange pieces on the floor as shown in the diagram below. Connect F8s and F6s with a lock connector. Insert a corner lock into place on both ends of the F16s. Slide F16s into the uprights and assure all locks are tightened. All locks face back. Push the rubber gasket in edge of graphic into the channel on the frame. Start in upper left corner, go across the top and then down the sides to the bottom. Assure each graphic is tightly inserted. When taking graphics off, take care to gently pull by attached pull tab. Set frames aside.



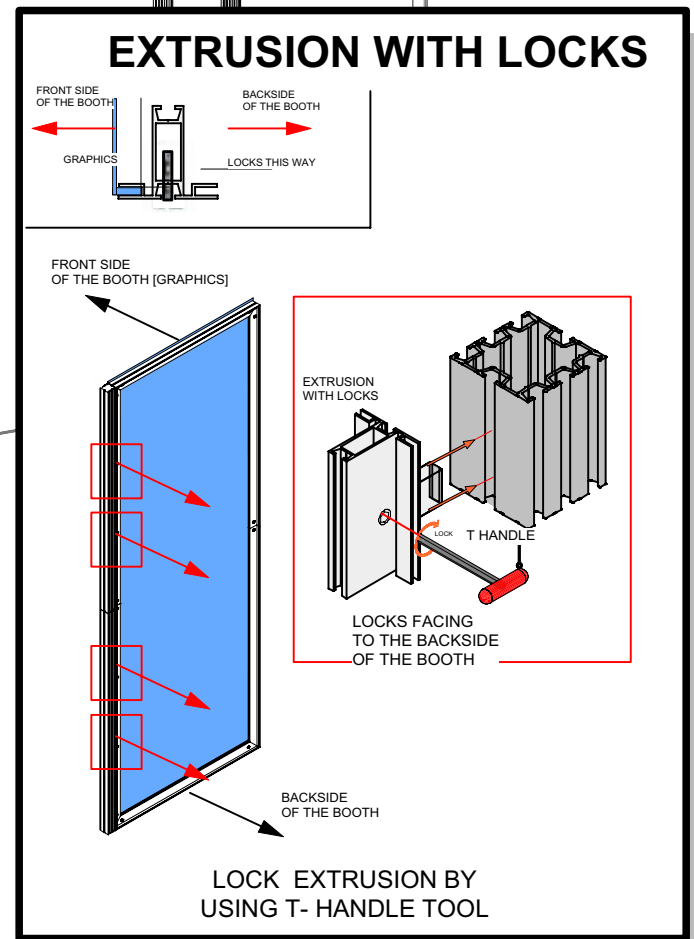
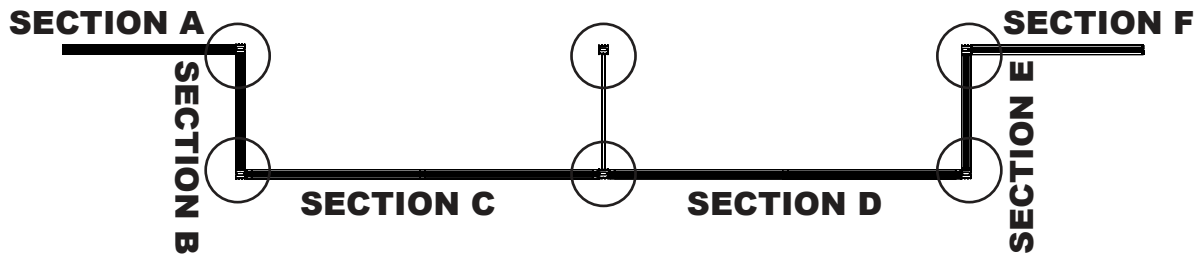
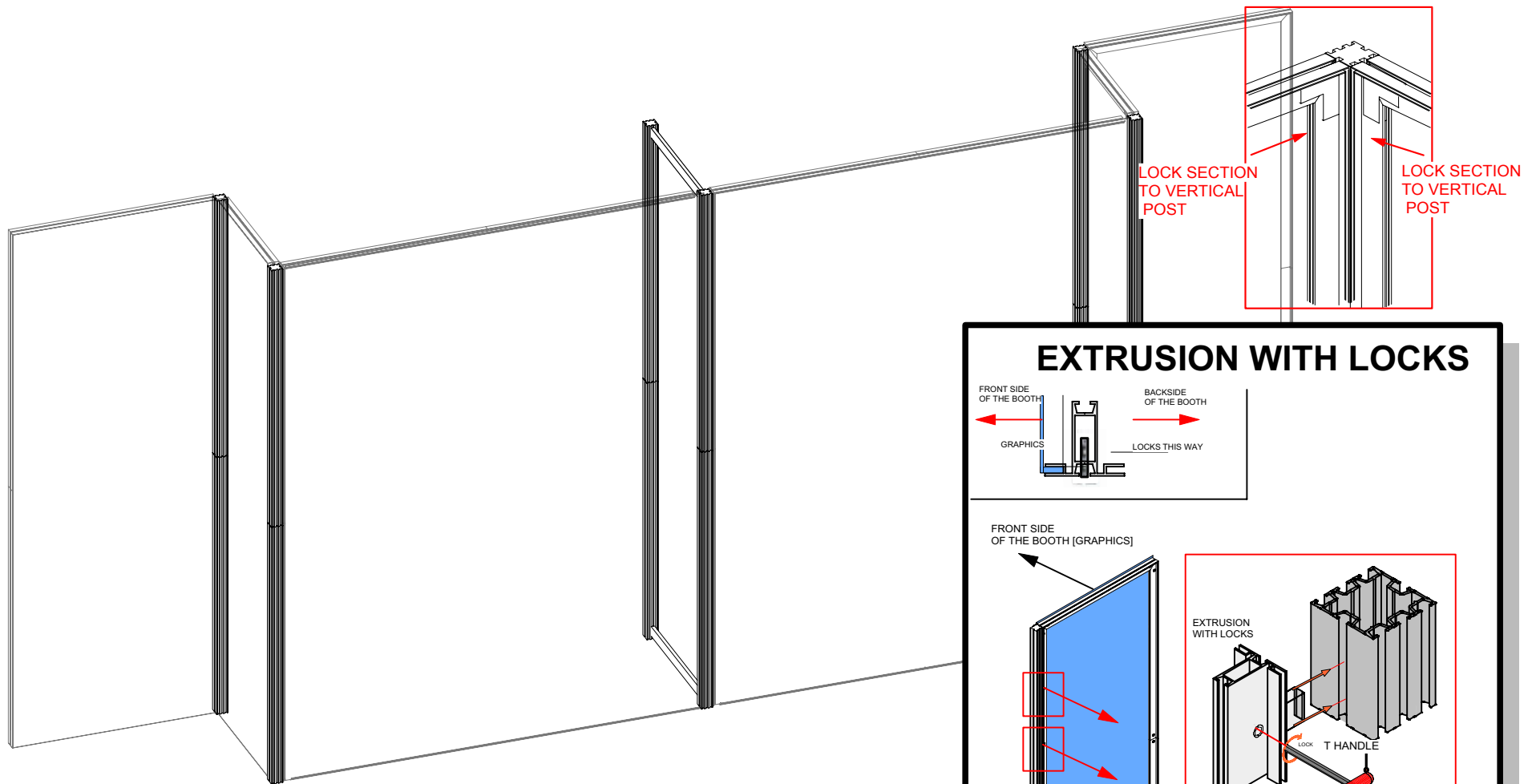
Step 4.

Slide the VE-45 into the lower VE-39s as shown in detail below. Slide upper VE-39s over VE-45s to create uprights. Attach center uprights using the VE-16s.



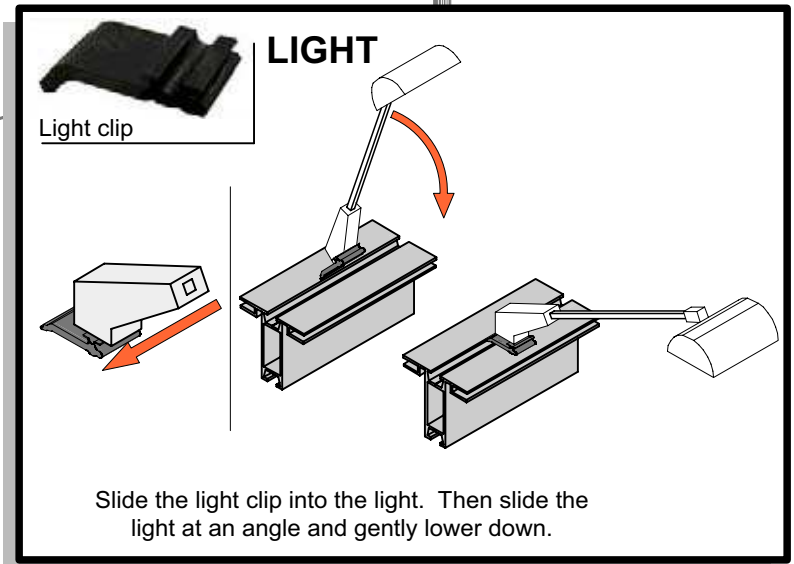
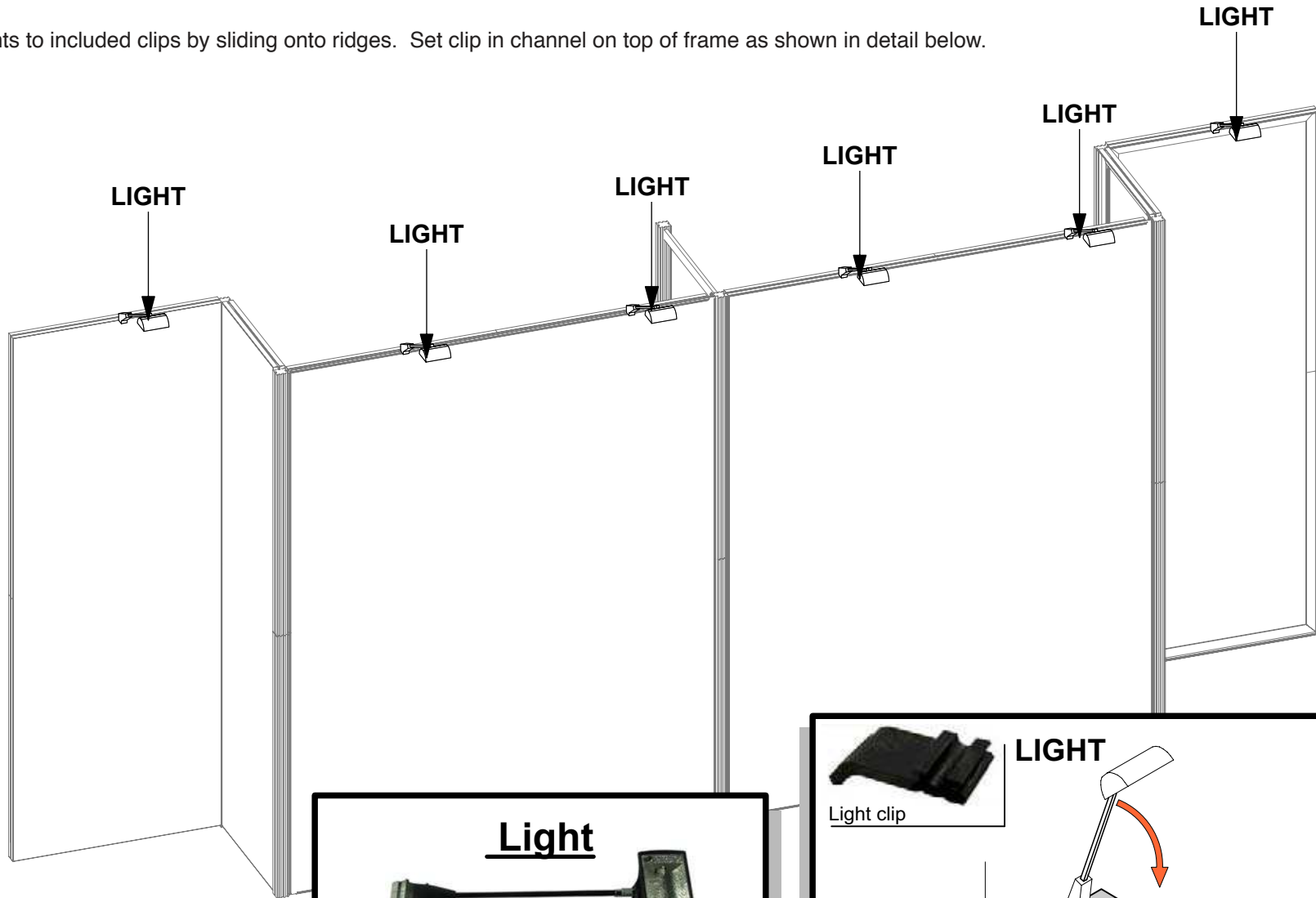
Step 6.

Lock completed uprights to the frame where shown using detail below.



Step 7.

Attach lights to included clips by sliding onto ridges. Set clip in channel on top of frame as shown in detail below.



Check out these related products:



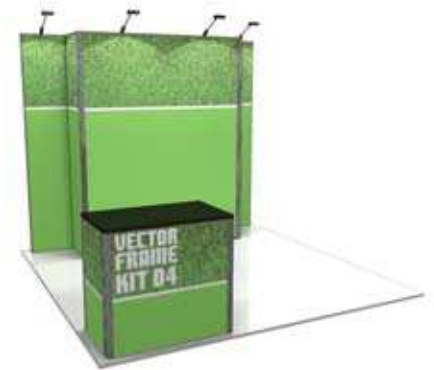
Vector Frame Kit 01



Vector Frame Kit 02



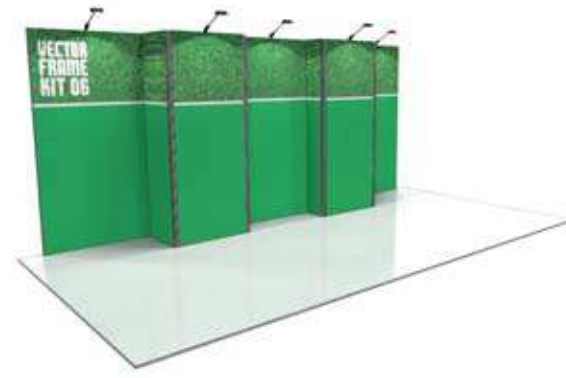
Vector Frame Kit 03



Vector Frame Kit 04



Vector Frame Kit 05



Vector Frame Kit 06



Vector Frame Kit 07



Vector Frame Kit 08
