

Skyline® Mirage® Set-Up Instructions

MIRAGE



Table of Contents

Mirage® Pop-up is available in many sizes – from 32” tall tabletops to 92” tall backwalls. The following set-up and repacking instructions depict our 10’ 92” Mirage, the most popular display in the world. All Mirage displays set up using the same sequence, although the size and number of components vary between models.

Please read the entire section prior to set-up.

Although Skyline products are designed to withstand the rigors of a heavy trade show schedule, with many set-ups and take-downs, care should be taken when handling your display. Valuable graphic panels can be damaged if not properly handled. Replace graphic panels in protective plastic bags before repacking. Be careful not to drop panels into the case as this could damage their edges.

If you have any questions about setting up your display or have lost components, call your local Skyline distributor. For the number of your distributor, or the distributor in a city in which you are exhibiting, call Skyline at 1-800-328-2725.

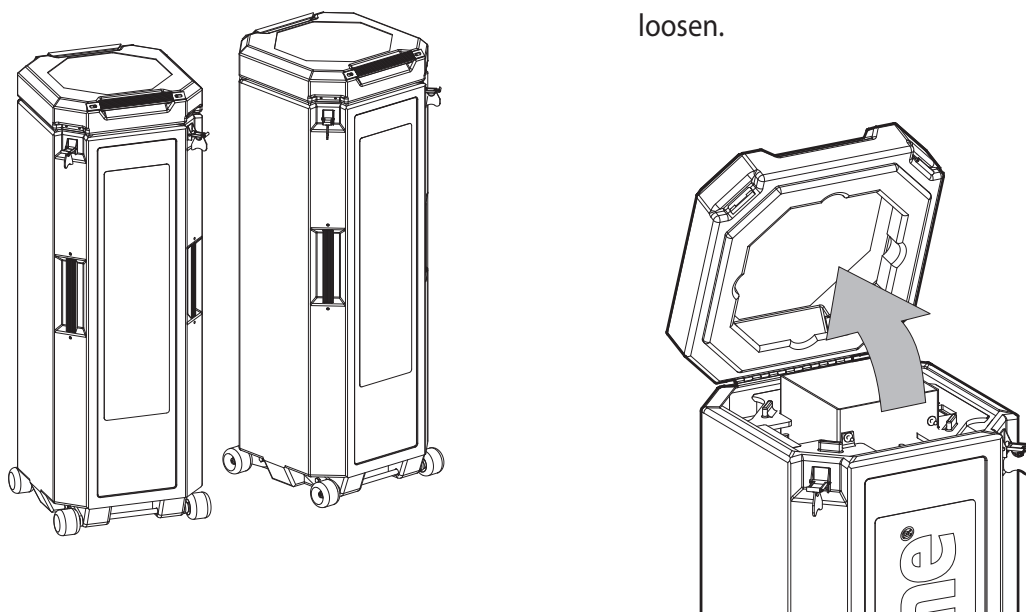
Thank you for choosing Skyline – have a great show!

	Case Identification	2
	Frame Identification	3
Set-Up	Component Identification	4
	All Mirage Frames	6
	Mirage Classic	7
	Channel Bars	8
	Panels	9
	End Panels	10
	Lights All Models	11
Accessories	Case Table – Transporter Case	12
	Case Table – Oval Case	13
	Additional Accessories	14
Repacking	Repackaging both Cases	15
	Warranty	18

Case Identification

Transporter Case (Tabletop displays have only 1 case.)

To open case lid, flip latches up and rotate counter-clockwise to loosen.

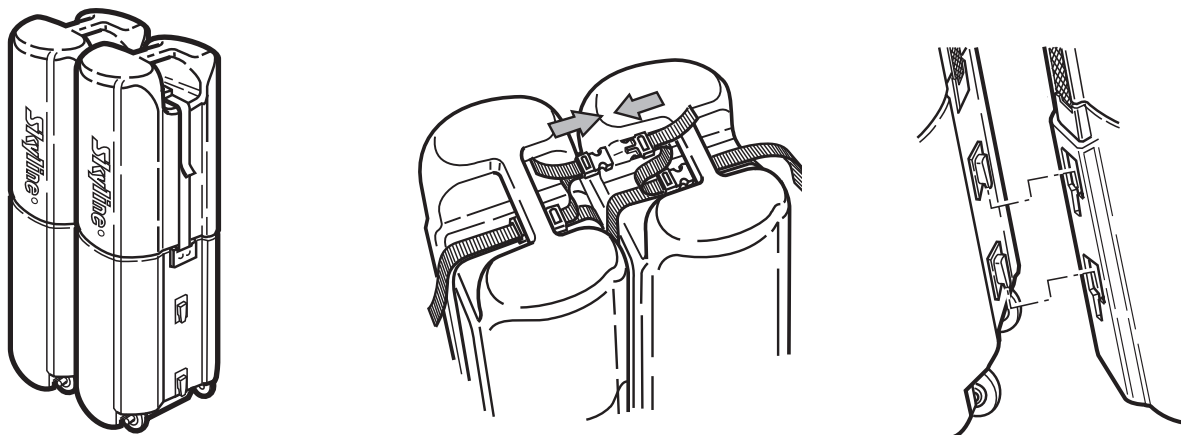


Oval Case (Tabletop displays have only 1 case.)

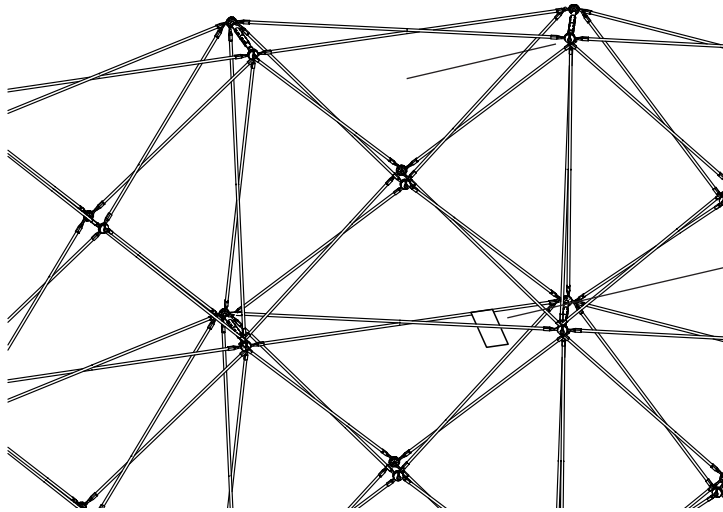
Cases connect for easy transporting.

To disconnect, unbuckle straps.

Tip cases forward to separate cases at base.



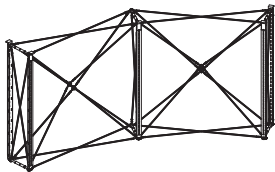
Frame Identification



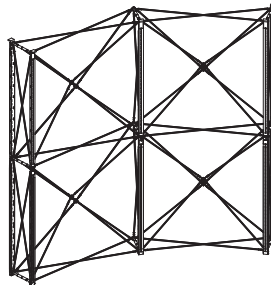
Frame Type	6' 52"
Frame Number	29282
Mfg Date	12-27-05 Mfg By SS
MIRAGE® is a registered trademark of Skyline Exhibits	
<small>For warranty information contact your local Skyline Dealer. For help locating a dealer, call 1-800-328-2725 PN2401-H</small>	
Skyline®	

The warranty label attached to the frame shows what frame you have.

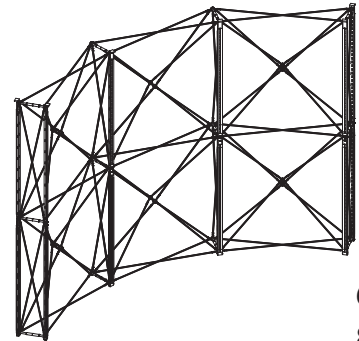
Tabletop Displays



6' 32"

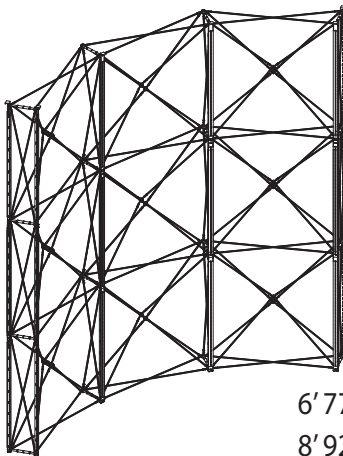


6' 63"

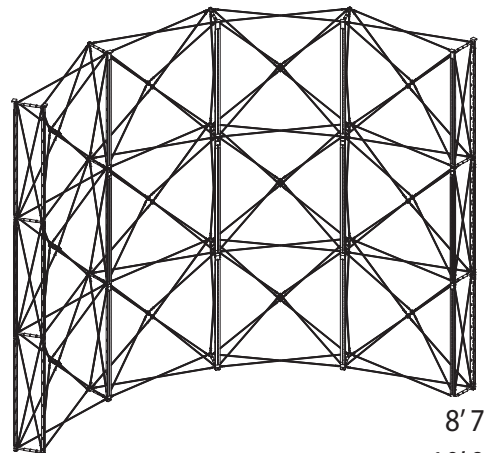


6' 52"
8' 63"

Full-Size Displays



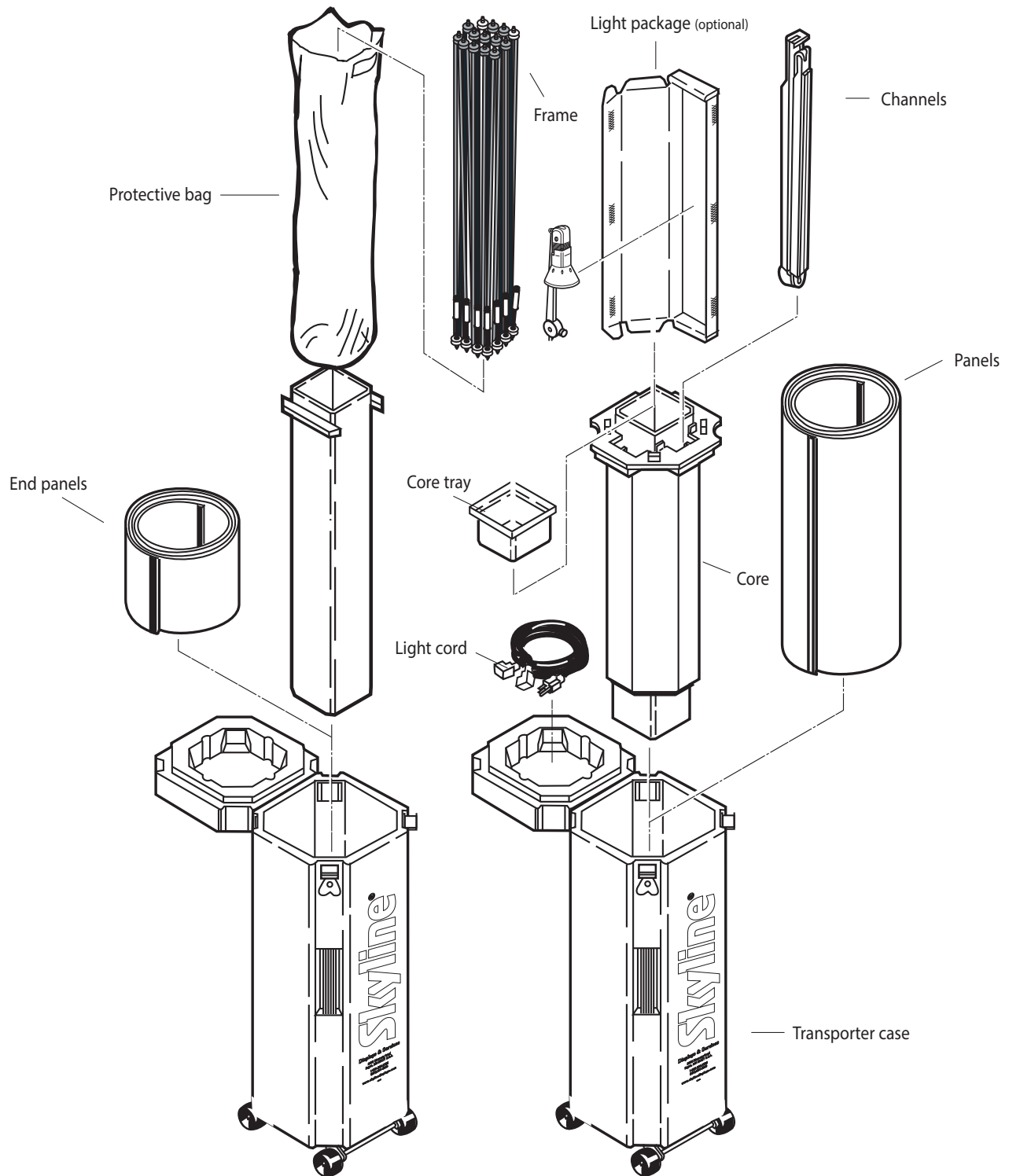
6' 77"
8' 92"



8' 77"
10' 92"

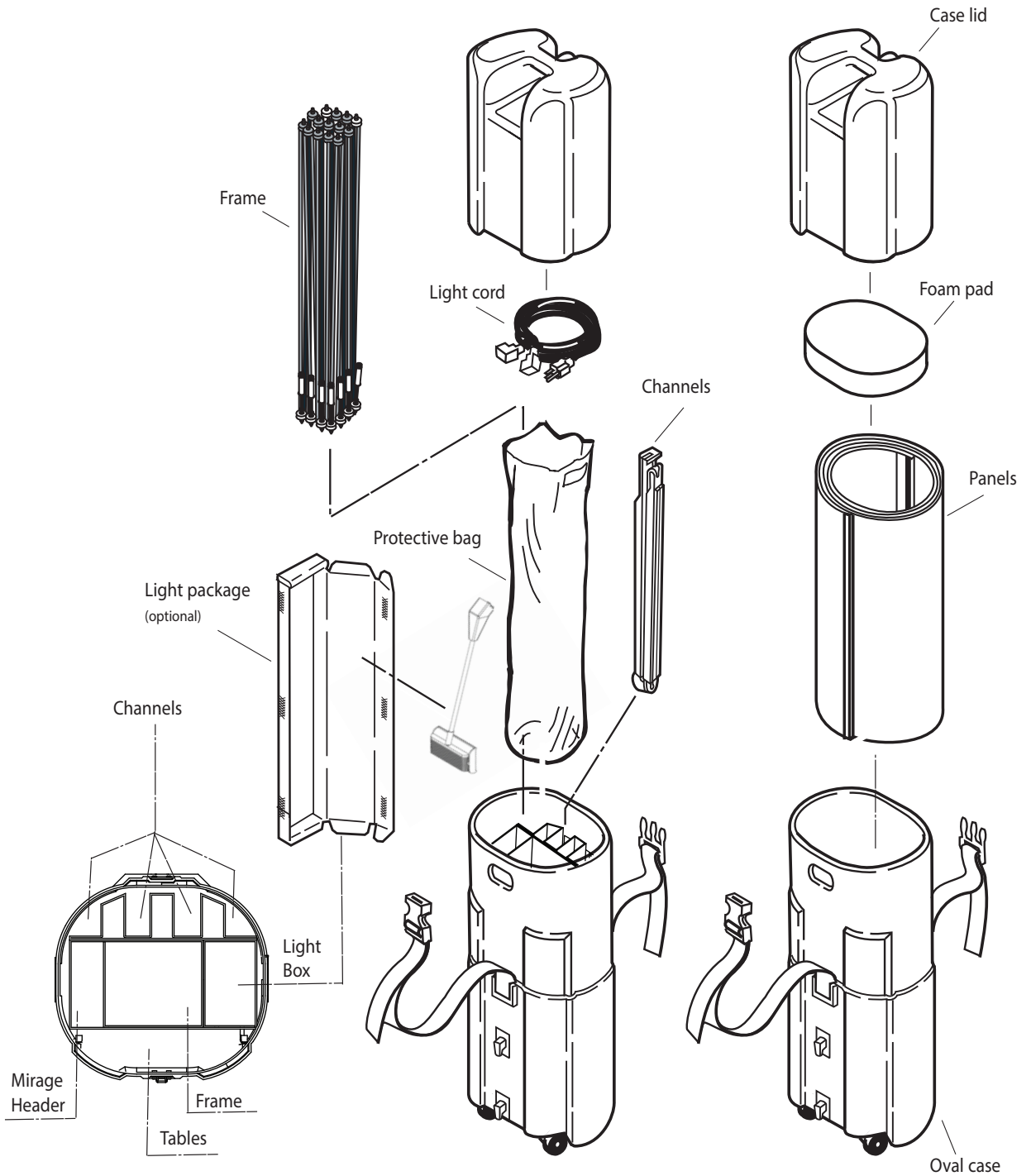
Transporter Case-packaging and repackaging

Shown below is the packaging scheme for a full-size Mirage® display. Your components may vary. Carefully follow the take-down steps on pages 28-30.



Oval Case- packaging and repackaging

Shown below is the packaging scheme for a full-size Mirage® display. Your components may vary. Carefully follow the take-down steps on pages 32-34.

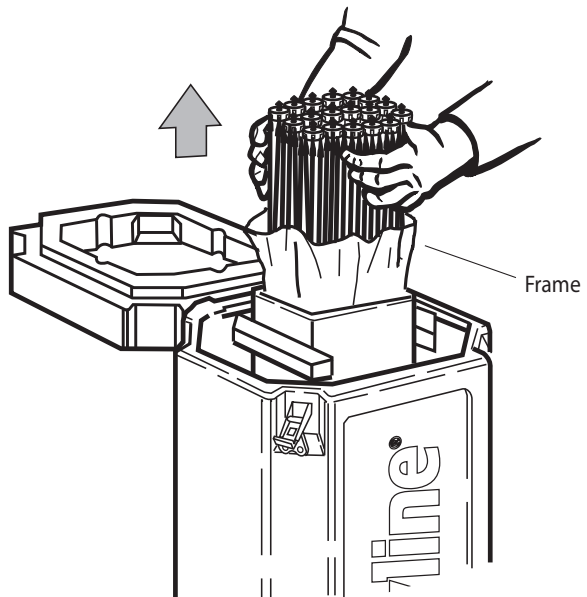


All Mirage[®] Frames

1

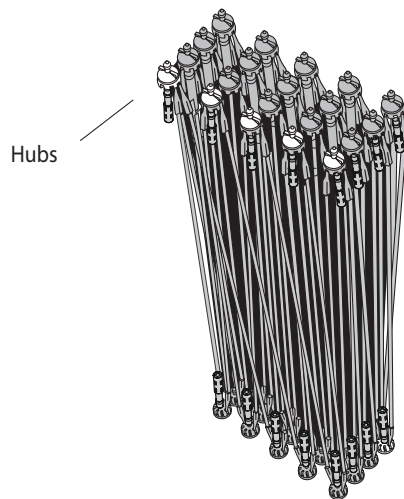
Remove frame from protective bag in center core of case.

(Keep protective bag for repacking your frame.)



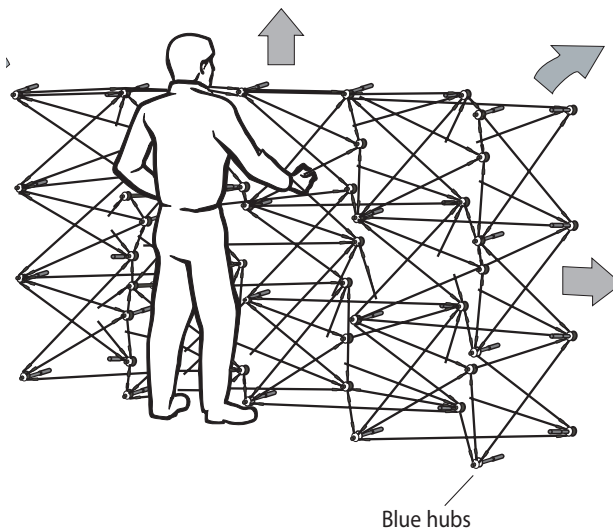
2

Place frame in standing position with hubs up and facing you. Spread frame apart enough to grasp the rod in the center of the frame (about 2' square).



3

Grasp the rod in the center of the frame that has the attached label and lift to expand the frame.



Mirage® Classic

Mirage® Advantage and Plus Models, advance to Step 6

4

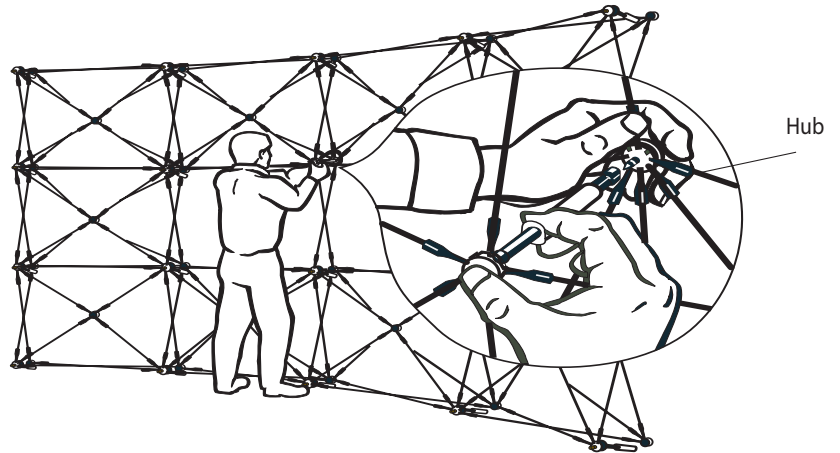
Mirage® Classic: The Mirage® Classic has manual connectors. When the frame is fully expanded, lock one center connector to keep the frame expanded.

Inset: Pull back on yellow sleeve, place end of connector onto opposite hub and release yellow sleeve to lock.

Lock all remaining connectors.

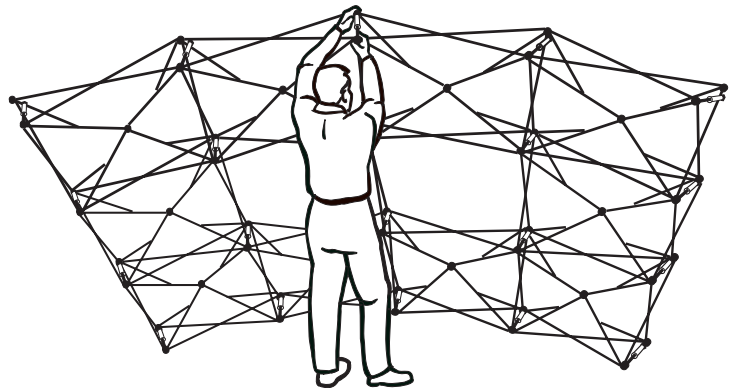
Mirage® Advantage: The Mirage Advantage has magnetic connectors. The frame connectors will magnetically snap together when the frame is fully expanded. Check to make sure all connectors do join and attach any that have not.

Mirage® Plus: The Mirage Plus frame does not have connectors. The frame will lock into place when it is fully expanded.



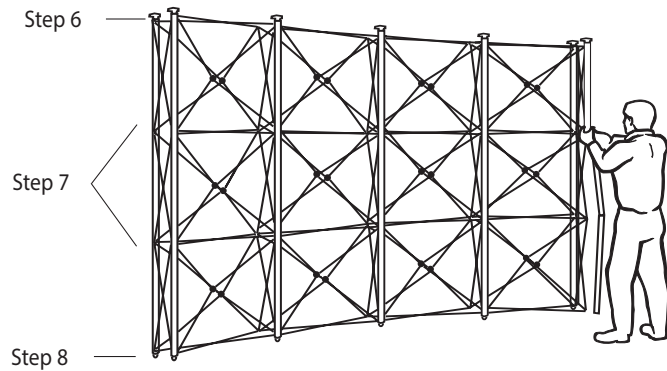
5

Tilt frame forward to reach top connectors.



Channel Bars

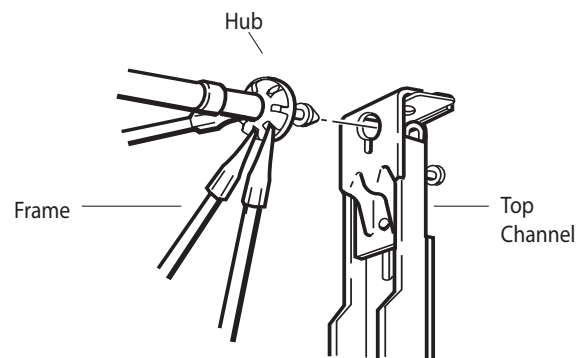
Channel bars hold the graphic to the frame and are applied to all quadrants on the front side of the frame. Extra channel bars are applied on each end on the back side of the frame to hold the panels in place.



6

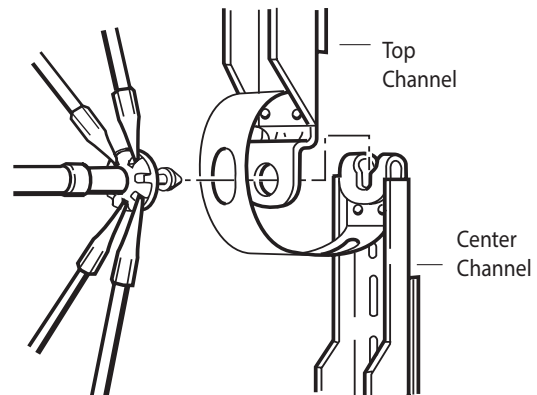
Top Connection

Connect top channel section to top hub of display frame.



7

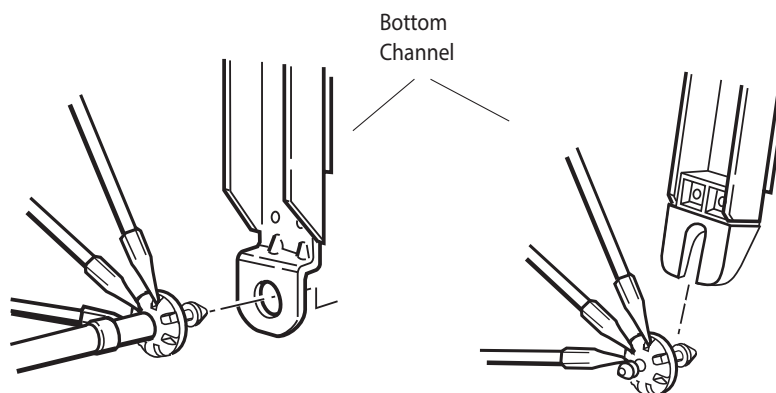
Center Connection(s) Connect bottom of top channel to hub of display frame. Slide top of next channel up onto same hub.



8

Bottom Connection

Connect bottom of channel to hub of display frame.



Mirage Classic

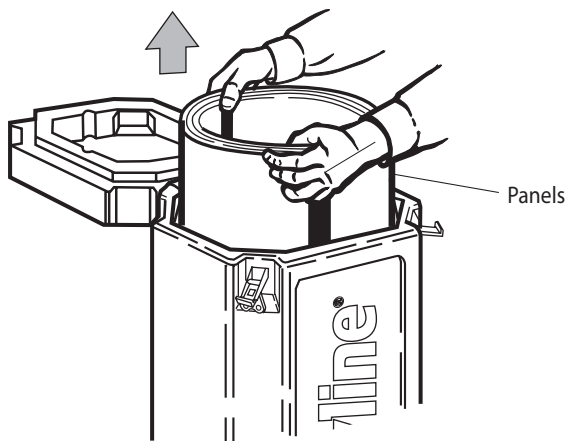
Mirage Advantage & Mirage Plus

Panels

Note: Remove center core from Transporter case to access panels.

9

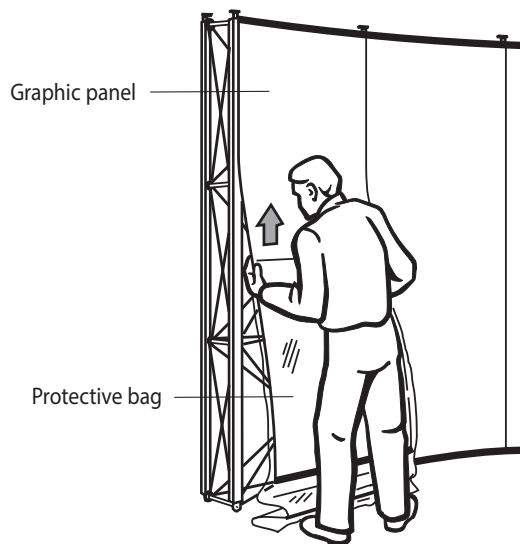
Carefully remove panels from case and unroll on flat, clean surface.



10

Remove panel(s) from protective bag.

Save bags and protective sheets for repacking.

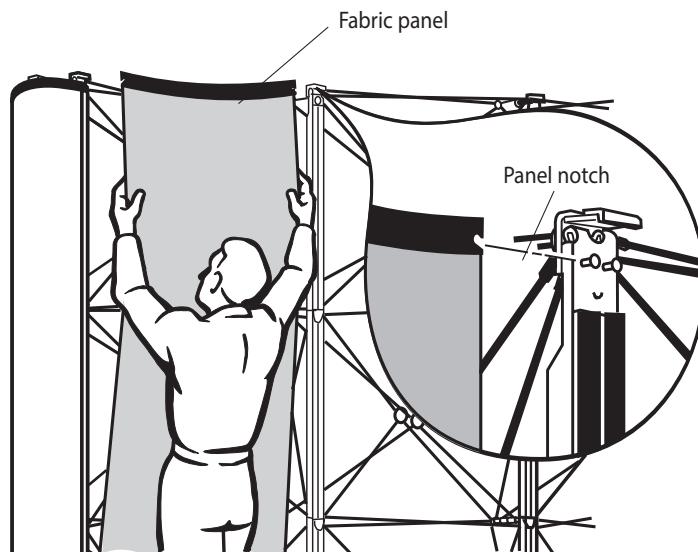


11

Grasp panels on their edges making sure panel notches are on top. Hold the panel slightly concave to give it the rigidity needed to reach the top of the channel.

The panel notch over the pins at the top of the channel. Repeat for other side of the panel. Slowly release the panel to allow the panel to attach to the magnetics on the channel bars.

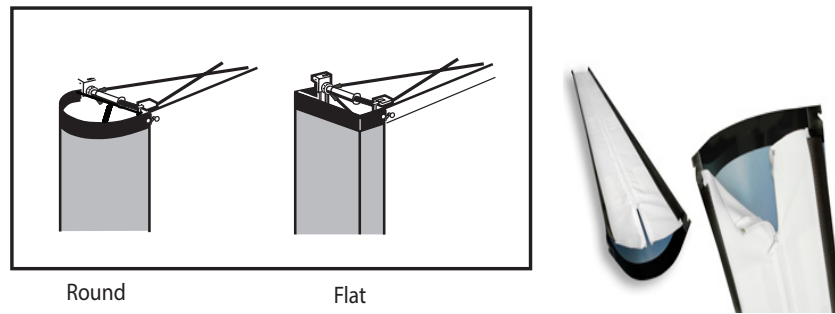
After all panels have been mounted, check the alignment and realign if necessary.



End Panels

Note: There are two styles of end panels available for your Mirage - Round and Flat. Both attach in the same manner.

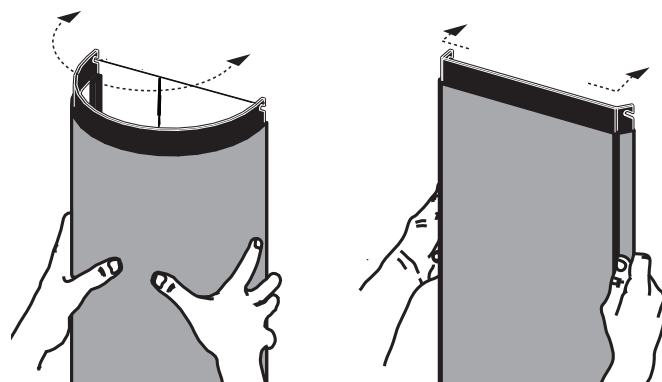
Round graphic end panels: Before installing the graphic end panel on the frame, secure the curved shaped by zipping the panel together.



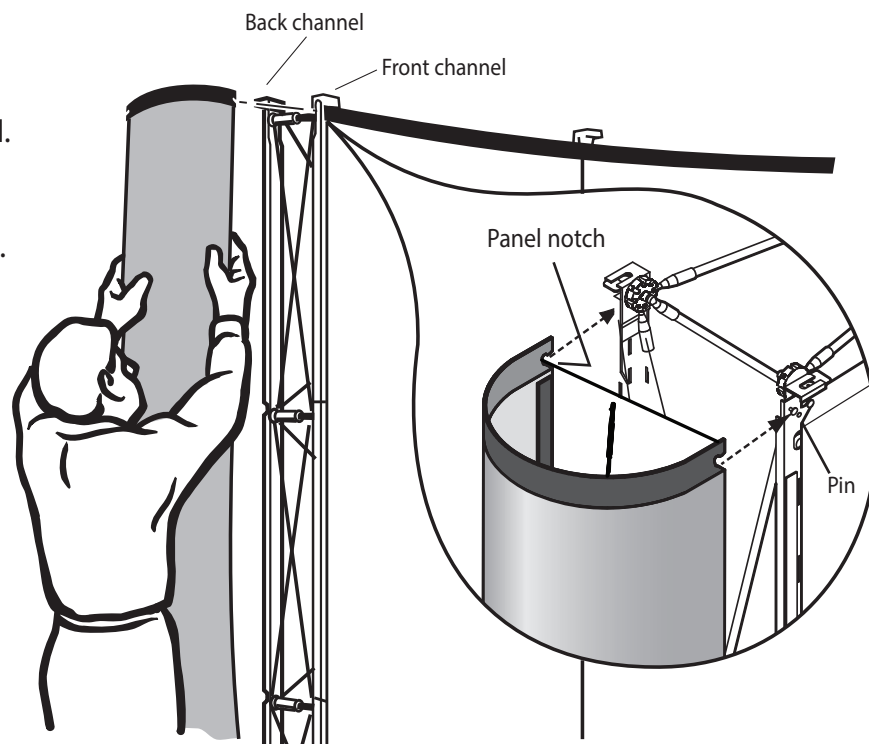
Note: Fabric and Skyflex end panels do not have the zipper mechanism.

12

(Reminder, channel bars must be installed on both sides of the Mirage® frame ends in order to mount the end panels.)



Hook the panel notches over the pins at the top of the front and back channels at the same time. Allow the panel magnets to attach to the magnets on the channels. Do not kink the panel. If a kink does occur, detach the magnetized panel from the channel and repeat the forming procedure.

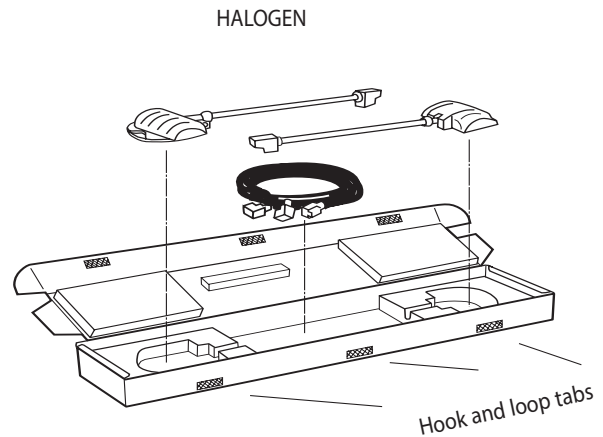


Lights All Models

There are several types of lights for the Mirage®. All of the light options attach in the same way.

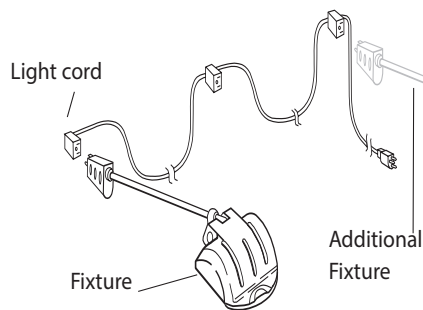
1

Remove the light box and cord from the core of the case. The fixture box opens on the side and is fastened with hook and loop



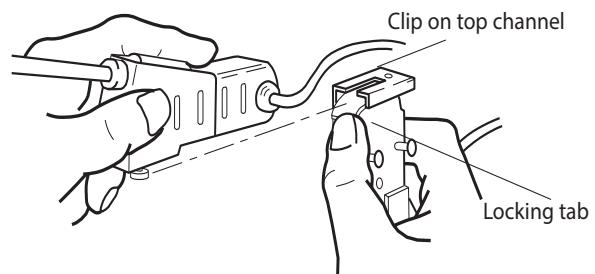
2

Plug the light cord into fixture.



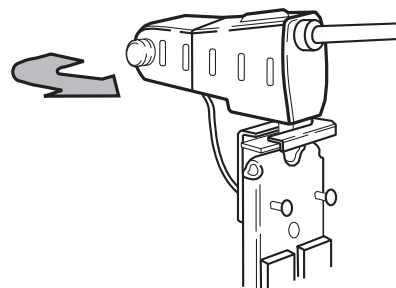
3

Place the light on top of the channel bar. Attach the light to the clip on the top section of channel by depressing the tab on the top of the channel bar and sliding the light onto the channel bar until it "clicks" into place.



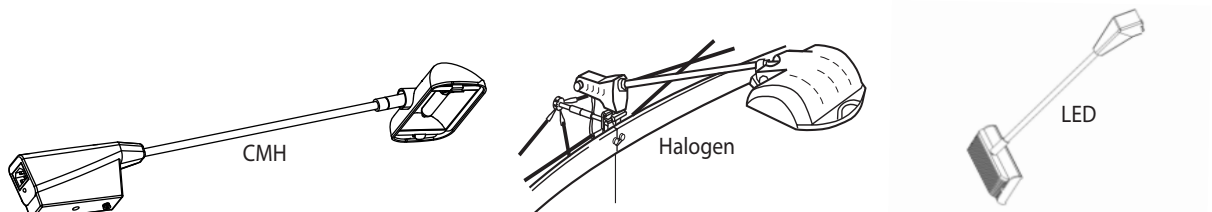
4

Rotate fixture 90° counter-clockwise.



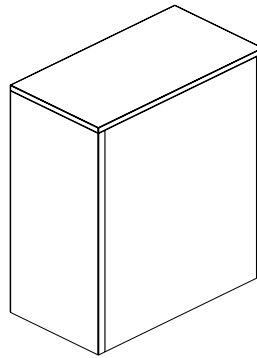
5

Repeat for remaining light(s).



Case Table – Transporter Case

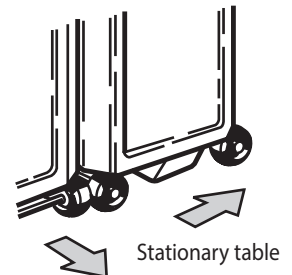
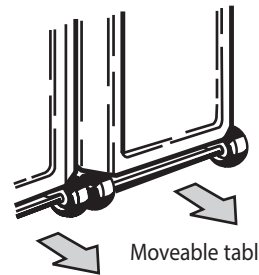
Case table is used for product display or working surface. The cases become the structure for the table and are covered with panels that are stored inside the case. Can have single or double case tables.



1

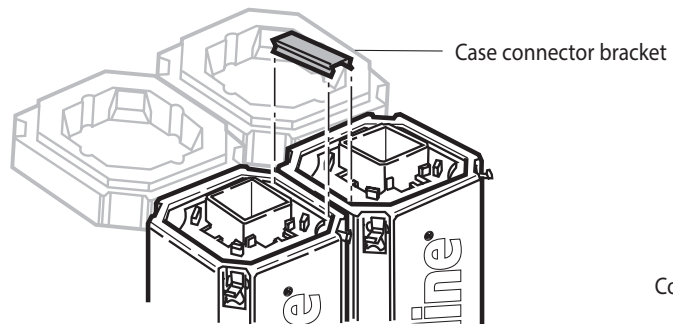
For a stationary table, position cases with wheels facing opposite direction.

For a moveable table, position cases with wheels facing the same direction.



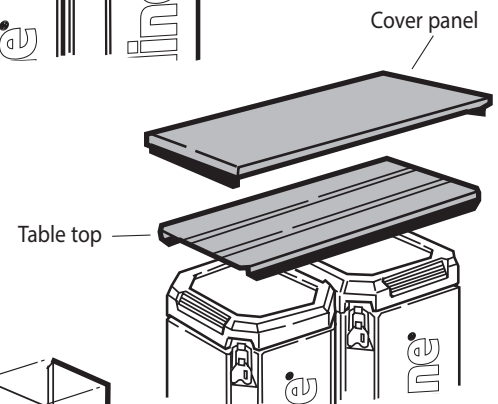
2

Open case lids and use case connector bracket to attach cases together. Replace lids and lock.



3

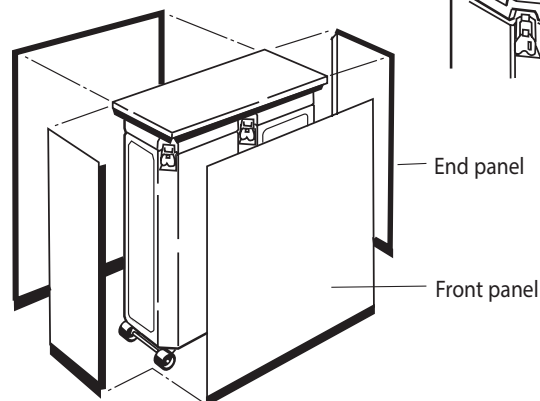
Unfold table top and place on cases. Place cover on table top.



4

Attach end panels to magnetic strip on table top cover.

Attach front/back panels to magnetic strip on table top cover and to magnetic strips on end panels.

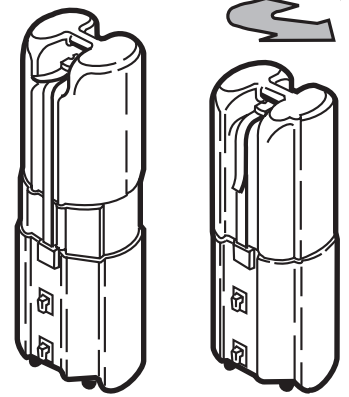
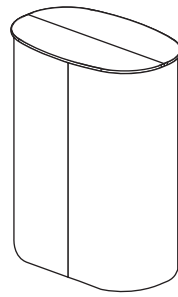


Case Table – Oval Case

Case table is used for product display or working surface. The cases become the structure for the table and is covered with a panel that are stored inside the case. Can have single or double case tabels.

1

Place lids on oval cases at their low position. Rotate lid 1/2 turn for high/low positions.

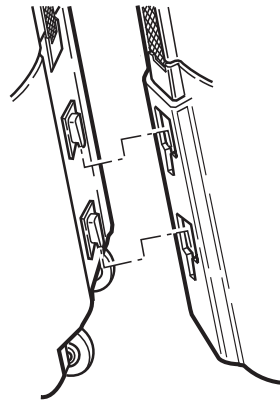


High Position
(for shipping)

Low Position
(for case table)

2

Tip cases forward and connect cases at their base. Strap cases together.



3

Connect table top halves and place on cases.

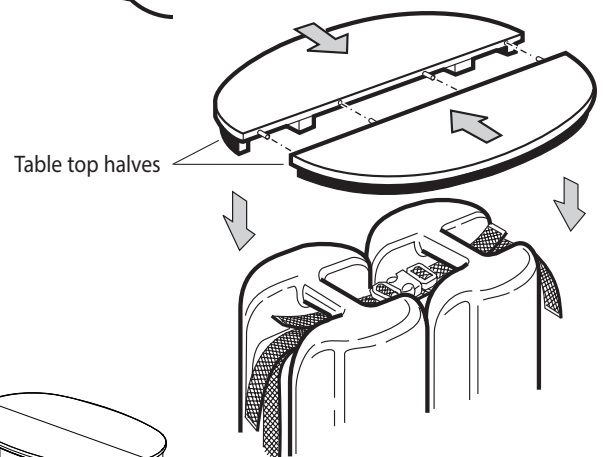
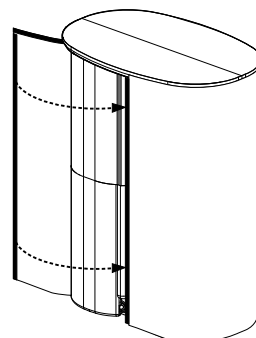


Table top halves

4

Starting at the back of the case, attach panel to magnetic strip on base of table top. Wrap around cases.



Panel

Additional Accessories

Additional accessories are available from your Skyline distributor and may be included with your display. Set-up instructions are included within the accessory container or as a label on the container itself.

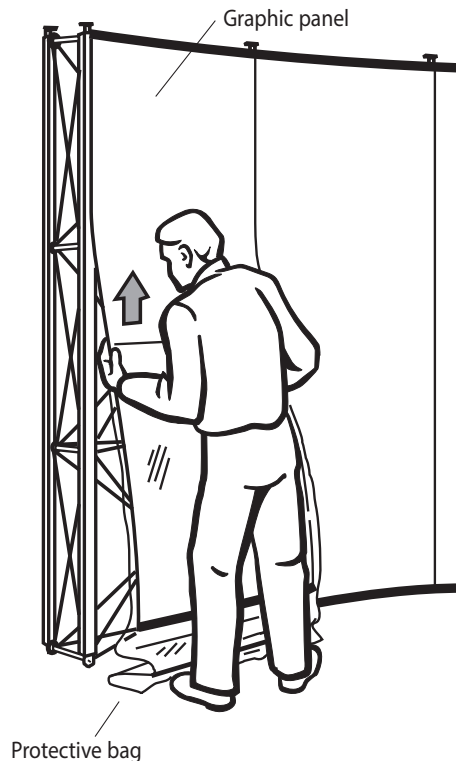
Repacking

1

Remove any accessories or lighting and replace in original packing.

2 !

Graphic panels to keep your panel from dirt and scratches, place protective plastic bag onto panel while it is on the frame. Begin at bottom of panel and move upwards. Remove panel when near the top.



Roll panel and place in case. Unroll panel until tight against wall of case.

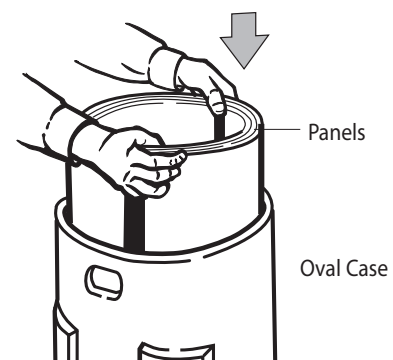
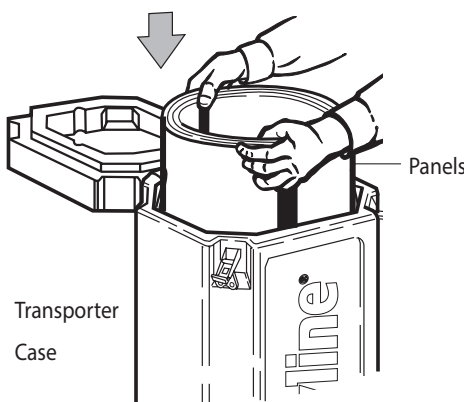
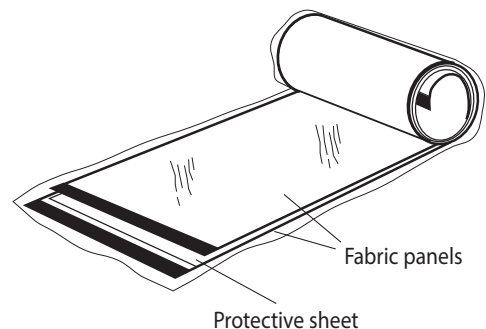
Repeat with remaining front panels.

Fabric Panels Remove 2 front panels and lay face-to-face with protective sheet between.

Place in protective plastic bag.

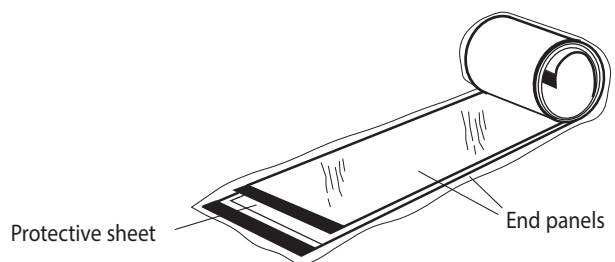
Roll panels and place in case. Unroll panels until tight against wall of case.

Repeat with remaining front panels.



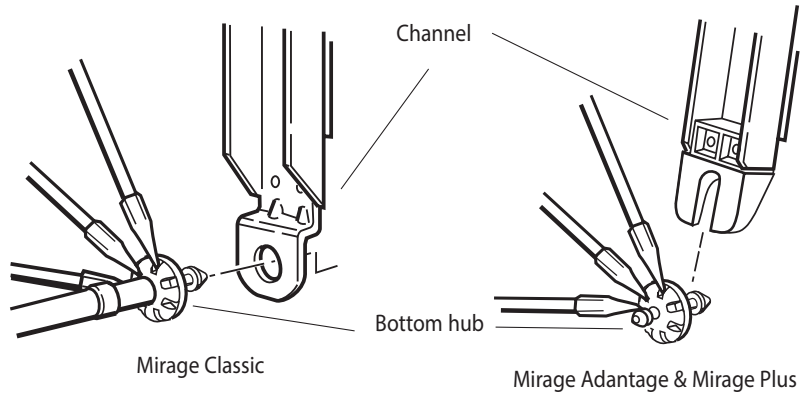
3

Repeat with end panels.

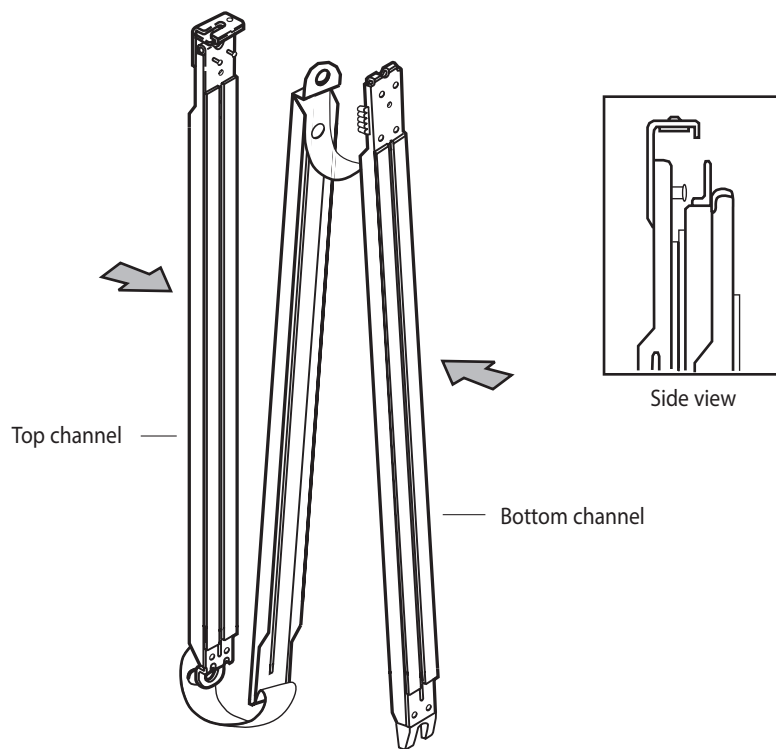


4

Remove channels by starting at bottom hub and working up.

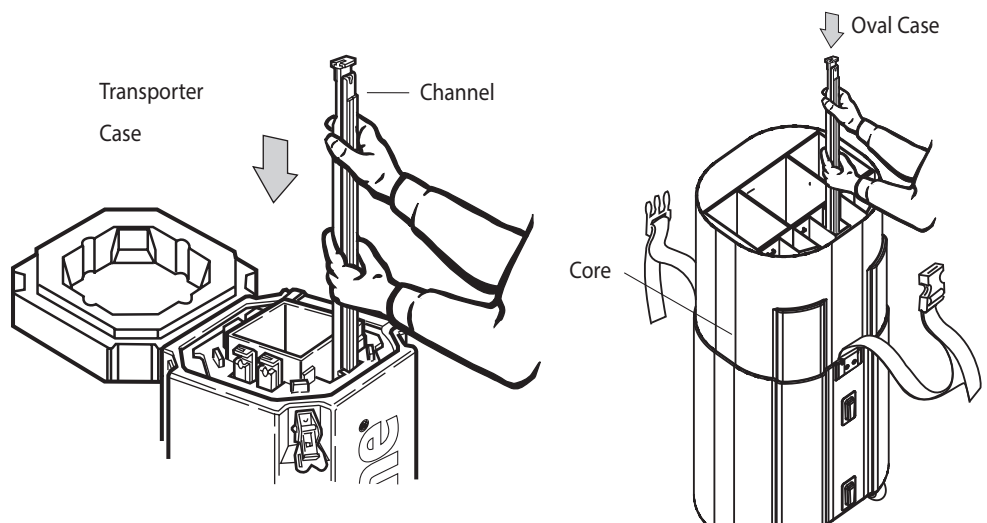


Fold channels and nest sections together as shown.



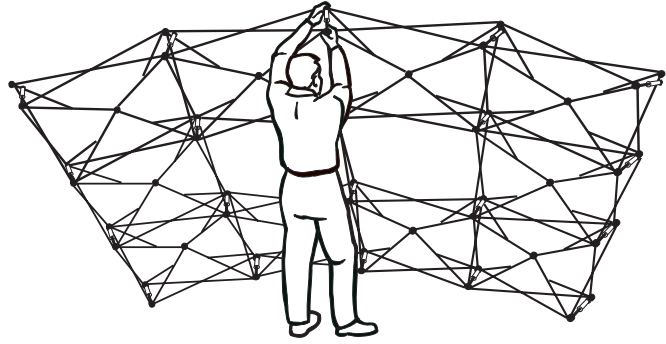
Place core into Transporter case.

Insert channels in slots of case core.



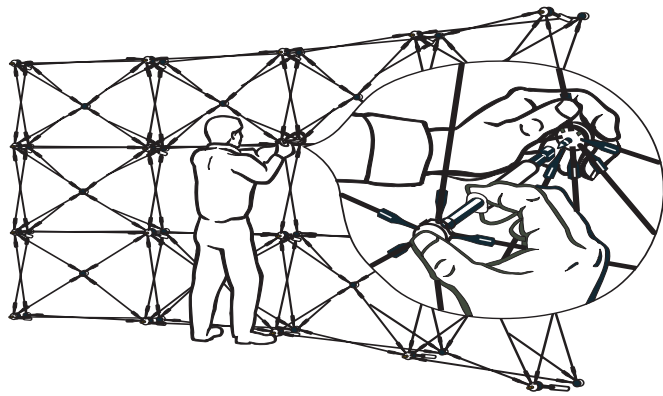
5 !

Mirage® Classic: Important To collapse frame, tilt frame forward to disconnect hard-to-reach connectors and pull back on sleeve until disconnected.



Disconnect remaining connectors around the perimeter of the frame so the last connector is at a comfortable level.

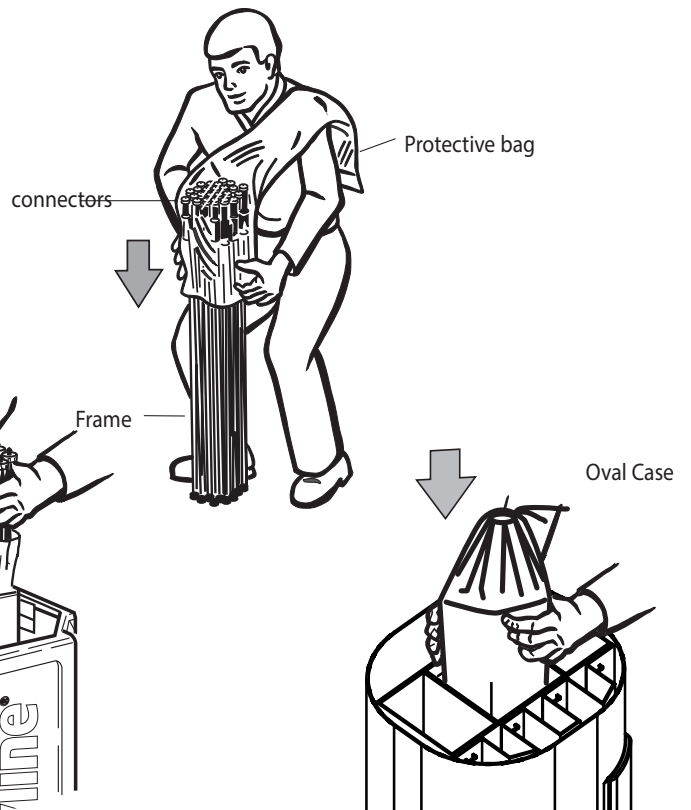
Support frame with one hand while disconnecting the final connector.
Slowly allow frame to collapse.



Mirage® Advantage and Plus Frames:

To collapse frame, tip the frame back slightly (to reduce floor friction) and pull the two halves of a connector apart in the center of the frame. All remaining connectors should separate. Support frame and slowly allow frame to collapse.

All Mirage® Frames: Place frame in protective bag. The end of the frame with the connectors must go in first.



Place core into case.

Place frame into case core.

Skyline Exhibits
3355 Discovery Road, St Paul, Minnesota 55121 U.S.A.

SKYLINE EXHIBITS, a Minnesota corporation (SKYLINE), hereby warrants, as set forth below, its MIRAGE[®] portable displays in four parts: frame and channels (Frame and Channels), hardware (Hardware), panels (Panels), and lights (Lights). Frame and Channels represent the collapsible framework and metal channels including attached magnets. Hardware represents the shelves, brackets, and case. Panels represent the flexible surface area covering the frame and channels. Lights represent the light fixtures (not bulbs). This Limited Warranty set forth below does not apply to any photomural panels or graphic materials supplied by SKYLINE. Color variations due to changes by suppliers during the manufacture of materials also are not covered under this warranty.

MIRAGE HARDWARE WARRANTY

SKYLINE warrants to the original purchaser, the MIRAGE and Frame and Channels for the lifetime of the exhibit, the MIRAGE Hardware for a period of one (1) year from the date of shipment, the MIRAGE Panels for a period of ninety (90) days from the date of shipment, and the MIRAGE Lights for a period of two (2) years from the date of shipment. The warranty provides that they will be free from defects in material or workmanship for the period stated. Defects will be determined solely by SKYLINE and not by any representative or dealer of or for SKYLINE. Upon determination of defect, the sole obligation of SKYLINE will be to repair or replace defective part. The resale of the exhibit automatically terminates the warranty.

The conditions of the Limited Warranty are: (1) the MIRAGE[®] Frame and Channels, Hardware, Panels, or Lights shall have been subject to only normal use and service and shall not have been misused, neglected, altered or otherwise damaged and (2) there shall be no evidence of tampering or deliberate destruction.

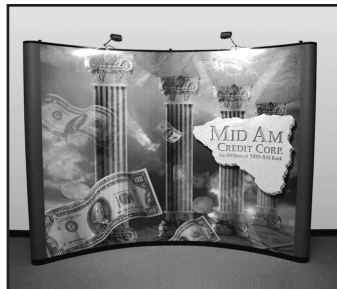
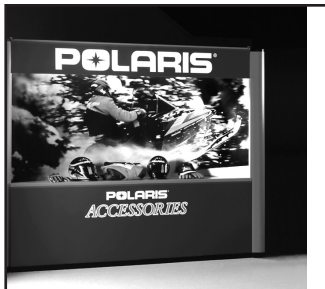
No representative or dealer of or for SKYLINE is authorized to assume for SKYLINE any other obligations or liabilities in connection with the MIRAGE Frame and Channels, Hardware, Panels, or Lights or alter the terms of this Limited Warranty in any way. This Limited Warranty is limited to the express provisions contained herein and does not extend to the liability for labor cost incurred in replacing defective parts.

Authorization to return any alleged defective part must be obtained from SKYLINE before the alleged defective part is returned. All shipping and transportation charges must be prepaid by the buyer. SKYLINE will not accept charges for parts purchased unless the conditions of this Limited Warranty have been satisfied.

THIS WARRANTY IS IN LIEU OF ALL OTHER WARRANTIES, EXPRESS OR IMPLIED AND THE WARRANTIES OR MERCHANTABILITY AND FITNESS FOR A PARTICULAR PURPOSE ARE HEREBY EXCLUDED BEYOND THE NINETY DAYS FOR PANELS AND ONE YEAR FOR HARDWARE DURATION OF THIS WARRANTY. Some states do not allow limitations on how long an implied warranty lasts, so the above limitations may not apply to you. SKYLINE EXHIBITS SHALL NOT BE LIABLE FOR DAMAGES, INCLUDING SPECIAL, INCIDENTAL OR CONSEQUENTIAL DAMAGES OUT OF OR IN CONNECTION WITH THE PERFORMANCE OF THIS MIRAGE UNIT OR ITS USE BY THE OWNER.

SKYLINE's liability is limited exclusively to repair or replacement of the defective part. Credit will be issued if defective part is returned qualifying for the replacement pursuant to the terms and conditions of this Limited Warranty. Parts can also be obtained from a local SKYLINE EXHIBITS, dealer.

MIRAGE[®] is a registered trademark of Skyline Exhibits
MIRAGE[®] patents #4,627,210, #4,658,560, #4,945,706, #5,148,648, #5,203,134, #5,203,126, #D 340,533,
#5,327,700, #D 349,608 and patents pending



Skyline Exhibits
3355 Discovery Road
Eagan, MN 55121 U.S.A.
1-800-328-2725

www.skyline.com

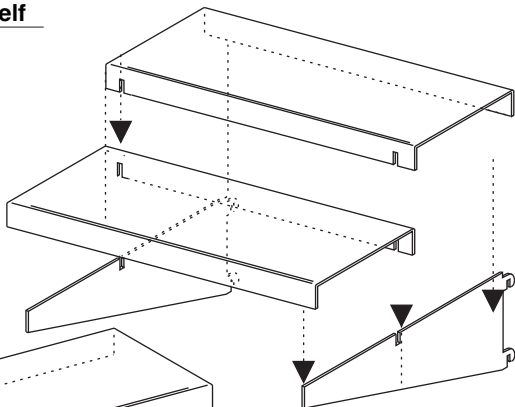
©2015 Skyline Exhibits

Printed in U.S.A. PN36547-A

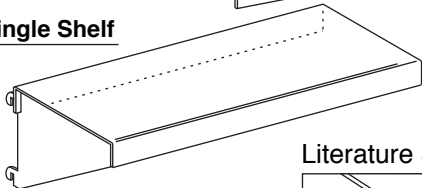
Double Shelf & Angled Literature Shelf

Notched sides
face each other

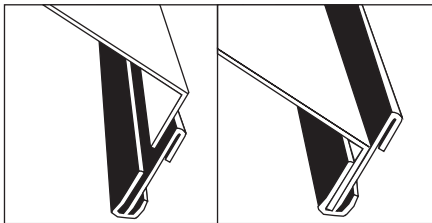
Install Shelf Brackets
in slots in Magnet
Channels

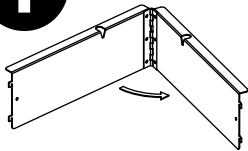


Single Shelf

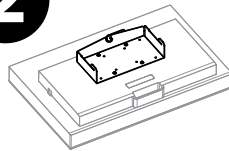


Literature Strip slides on Shelf edge



1

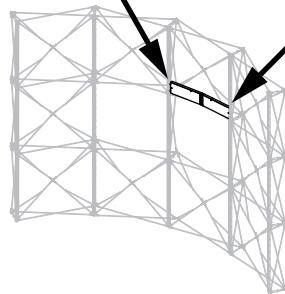
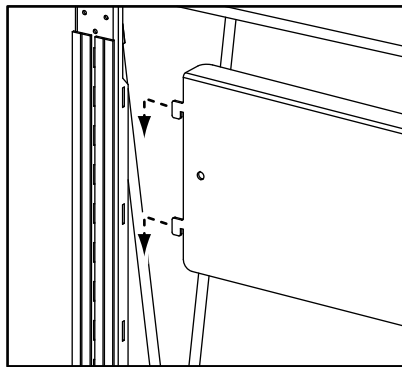
Unfold
hinged bracket

2

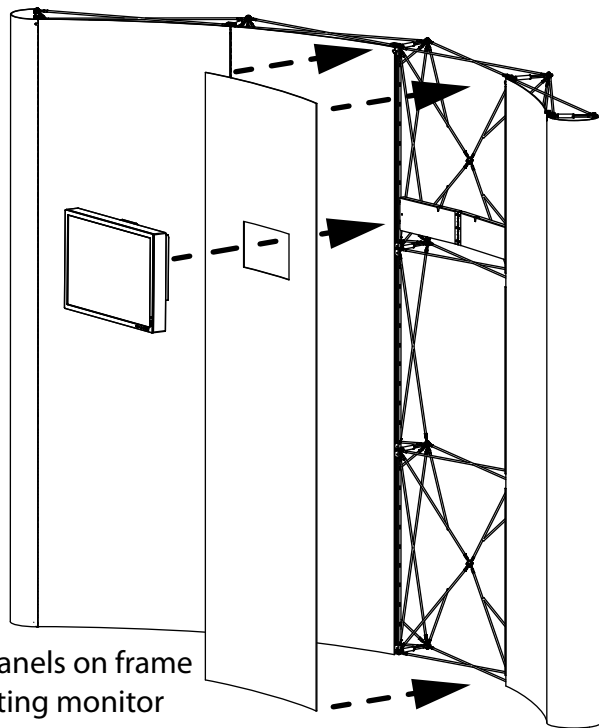
Attach mounting plate
to back of monitor

3

Hook both sides
of hinged bracket
into side slots of
Mirage channels

**4**

Place graphic panels on frame
before mounting monitor

**5**

Hook Monitor Plate into
notches of hinged bracket

