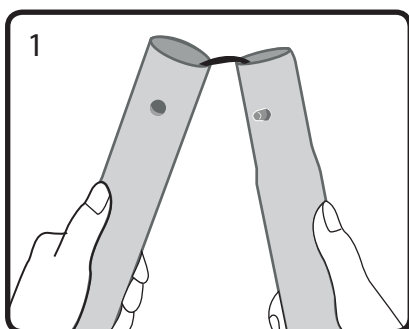
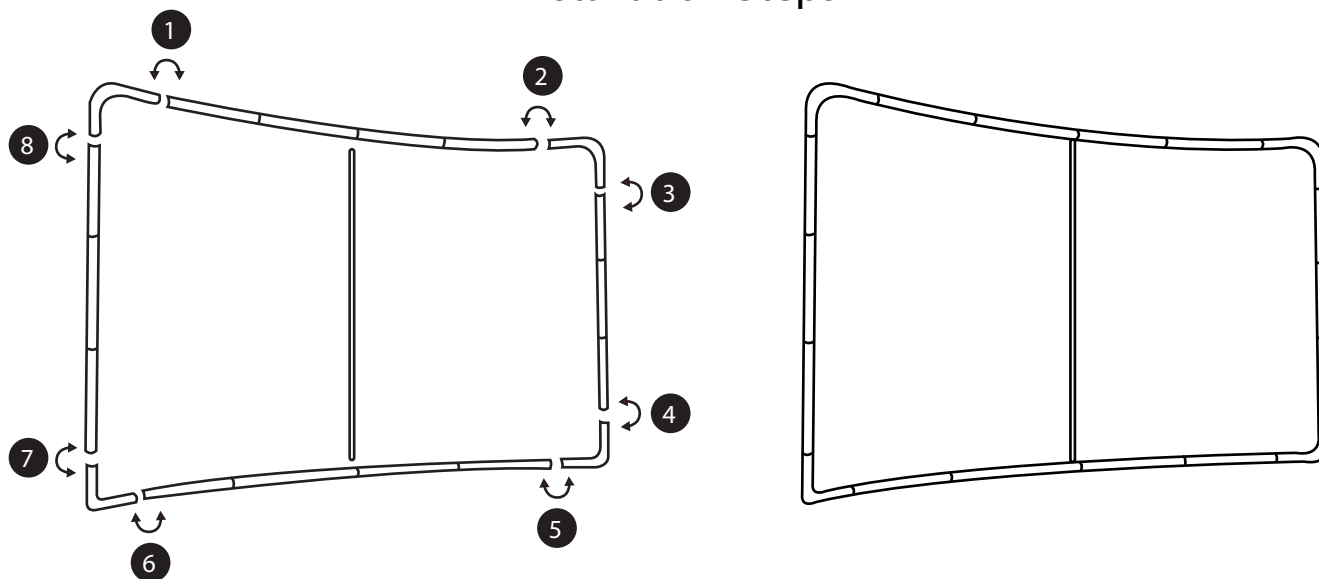
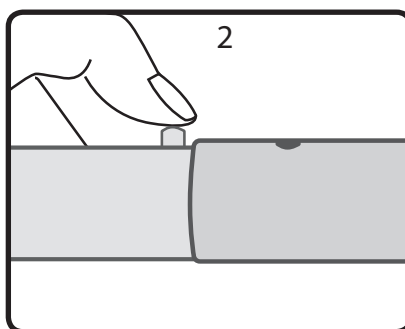


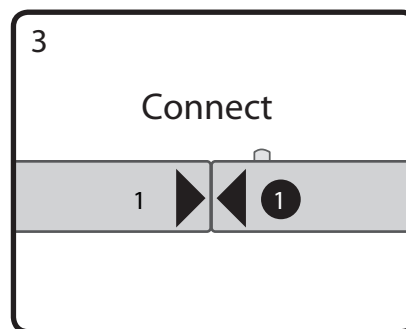
Installation Steps



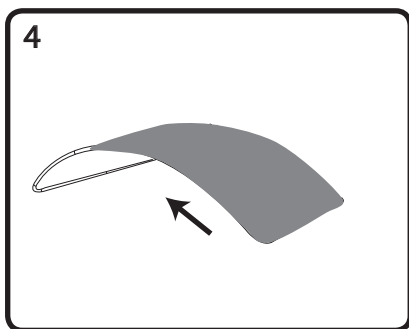
1 Connect the bungied poles together.



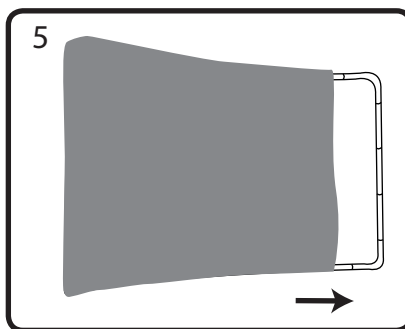
2 Push the pin and push the tube to secure.



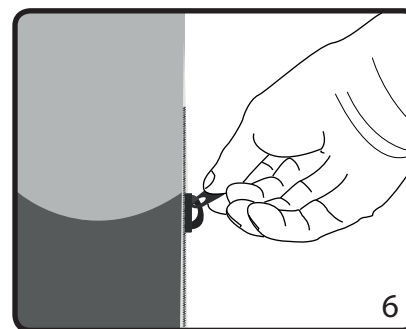
3 Connect the frame pieces by matching the corresponding shapes/numbers as indicated on the sticker labels.



4 Insert the vertical pole into the holes on the center of the frame. Tilt the frame onto its side and slip the graphic over the side of the frame.



5 Place the frame upright and pull the graphic to the side.



6 Zip to keep the graphic in place

Caution : Please read the instructions before installing products