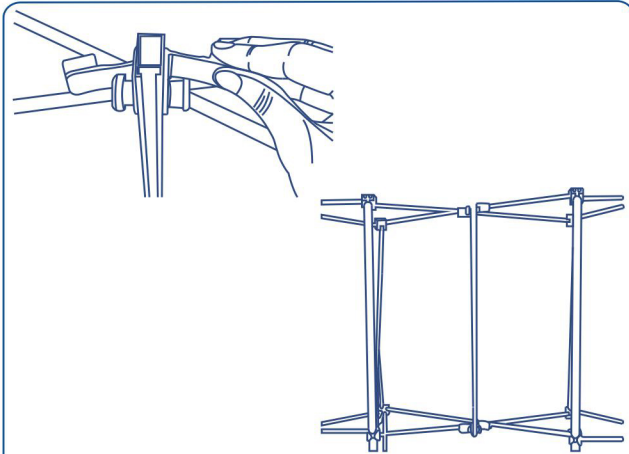
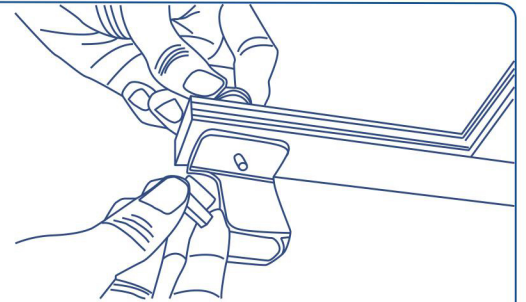


# XL Mount for iPad



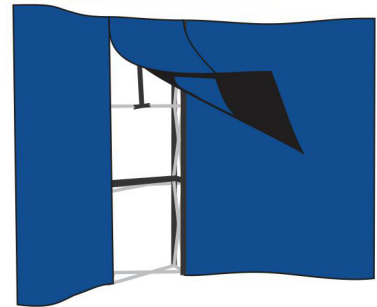
Hang the vertical bar on the frame, on the top and bottom cross bars of your desired location.

**STEP 1**

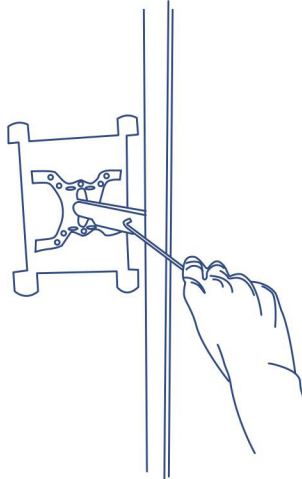


Attach the cross-bar hooks to the vertical bar, securing them with thumb screws as shown.

**STEP 2**  
**2 PALS**  
**STEP 3**

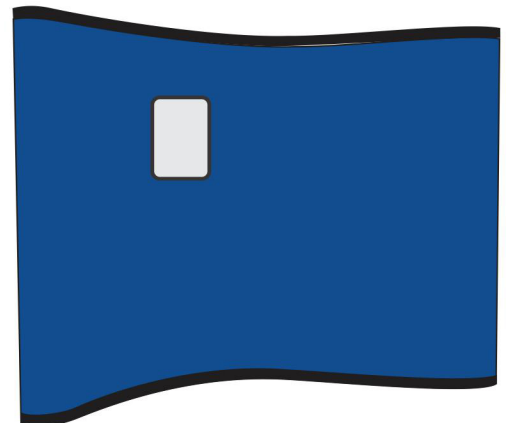
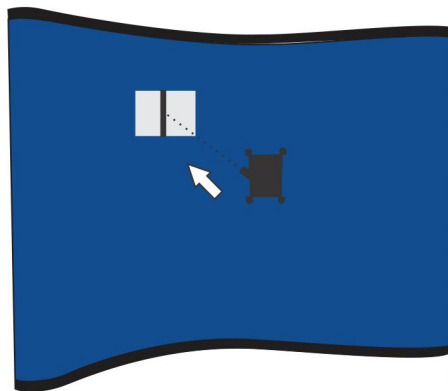


Install the fabric/graphic panel on the channel bars



Install the mount on the vertical bar. First insert the bar that is behind the mount through the cut-out on the panel and into the vertical bar. Then secure it in place by tightening the screw with the Allen key.

**STEP 4**



**STEP 5**

Insert the iPad on the mount. You are ready to use your EnergyX Popup with iPad Mount.