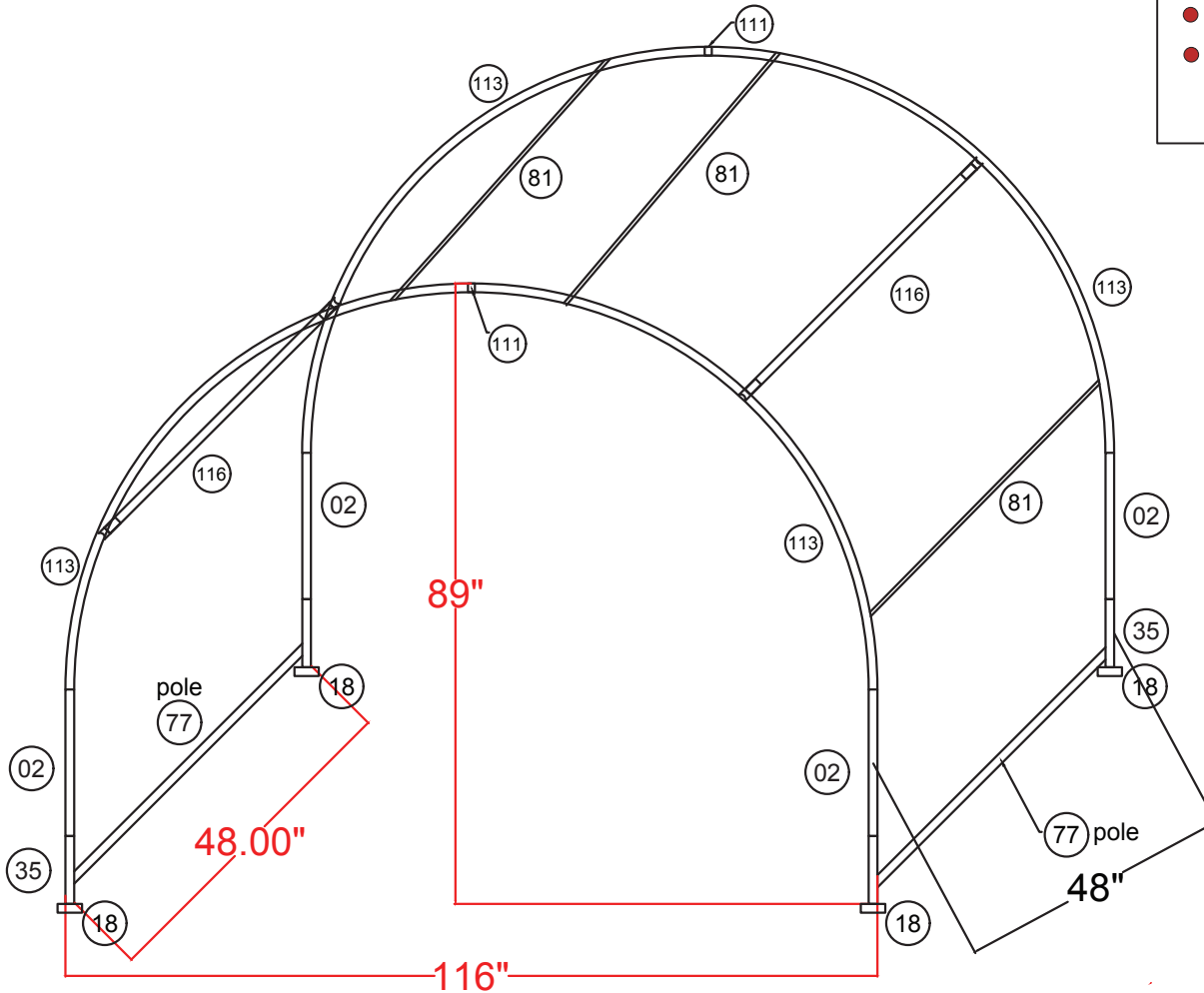


WAVELINE®

ARCH14S



- Assemble both outer rings
- Install base poles
- Install all horizontal poles
- Pull graphics from one end to the other slowly, making sure to evenly covering frame

48"w x 89"h Curved Arch Display	
Qty.	Part Number
4	WLM#35
4	WLM#113
4	WLM#02
2	WLM#77
2	WLM#116
4	WLM#081
1	BGO-FabricL bag
2	WLM#111
4	WLM#18

Fits inside qty.1 CA900
except base plate WLM#71