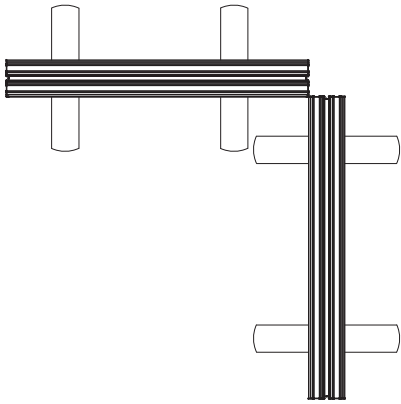
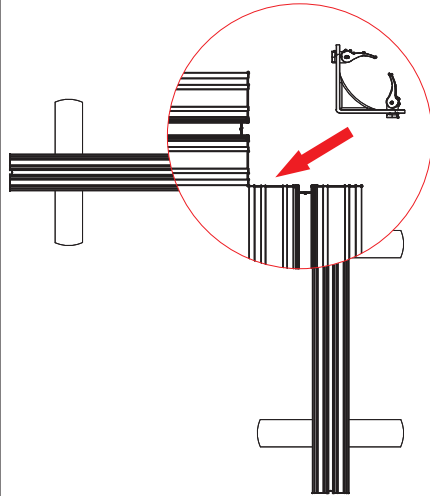


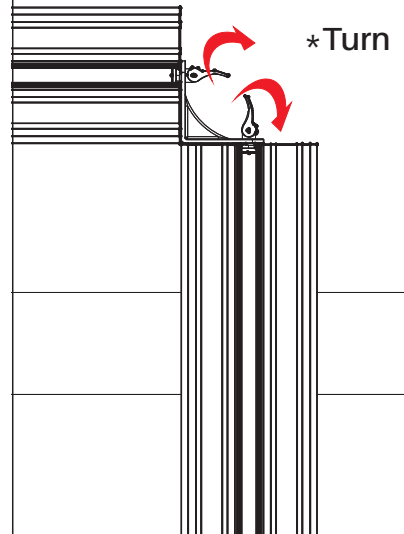
① \*Align frames at 90°



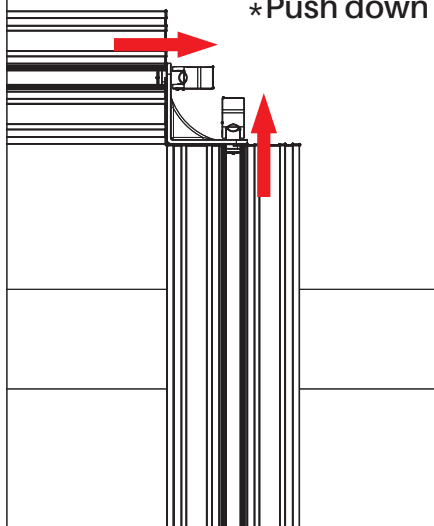
② \*Insert connector into channel



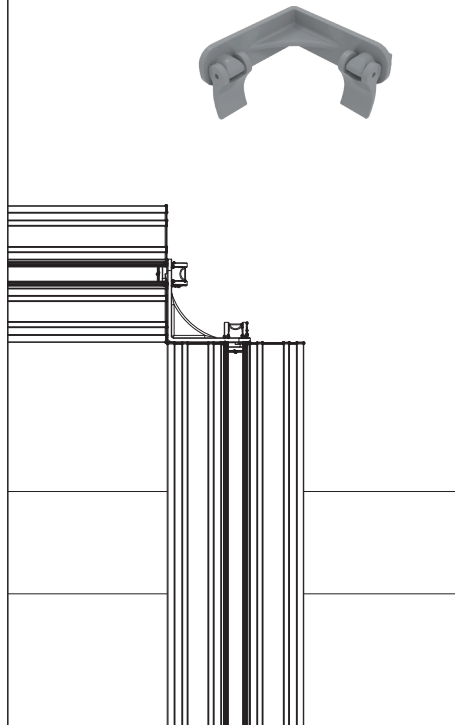
③ \*Turn



④ \*Push down



⑤ \*Closed view



⑥

