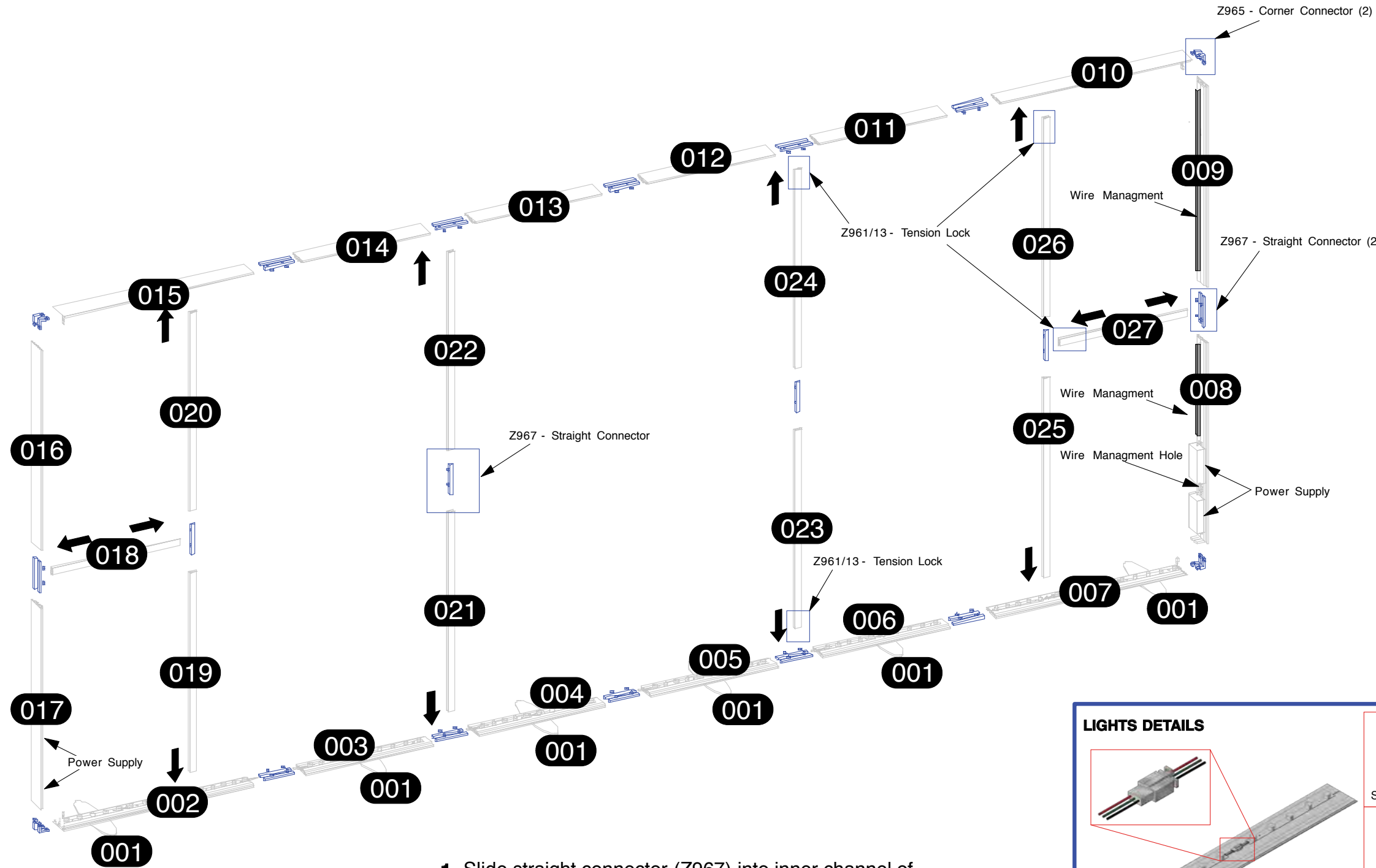


LUMIWALL (20'W x 8'H)

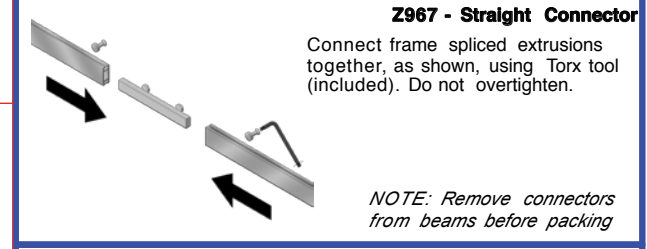
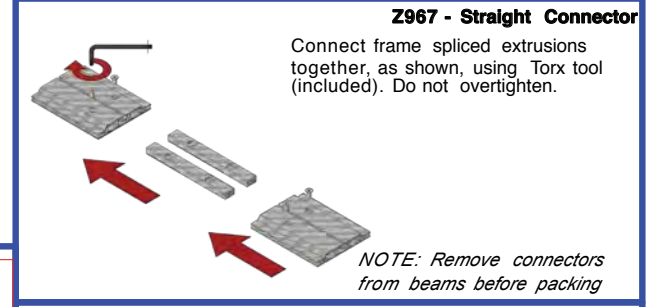
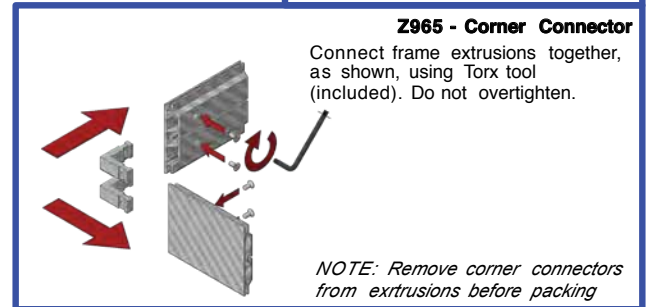
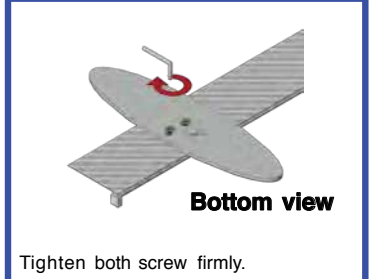
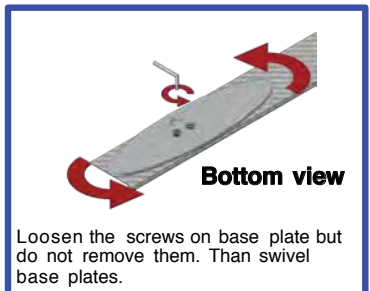
ASSEMBLY INSTRUCTIONS

CLIENT:
ORDER:
INSTR: LW-208-INSTR





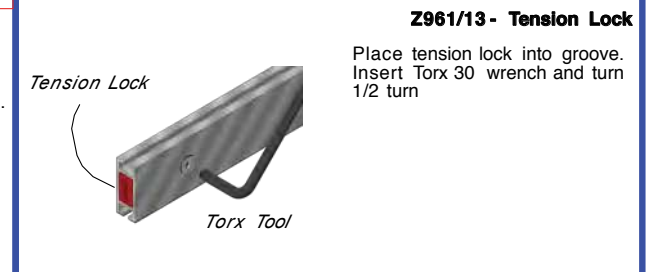
1. Slide straight connector (Z967) into inner channel of extrusion. Turn screw enough to hold connector in place.
2. Take another extrusion and slide onto straight connector. Tighten both screws to connect extrusions together.
3. Repeat above steps to connect all spliced extrusions together.
4. Slide corner connector (Z966) into both sides of horizontal extrusions. Turn each screw enough to hold connector in place.
5. Slide vertical extrusions onto corner connectors of top horizontal extrusion. Turn each screw enough to hold connector in place.
6. Finish frame assembly by sliding corner connectors of bottom horizontal extrusion into inner channel of vertical extrusions and tighten the screws to secure frame extrusions together.

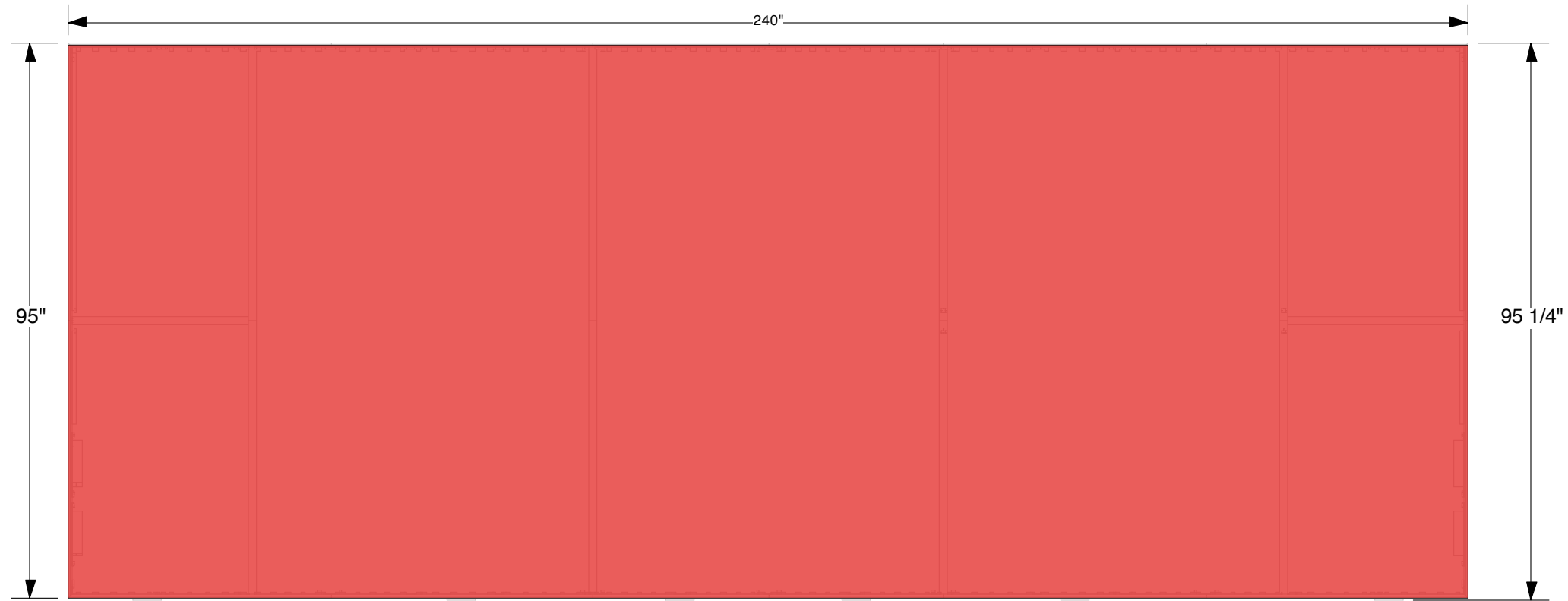


LIGHTS DETAILS

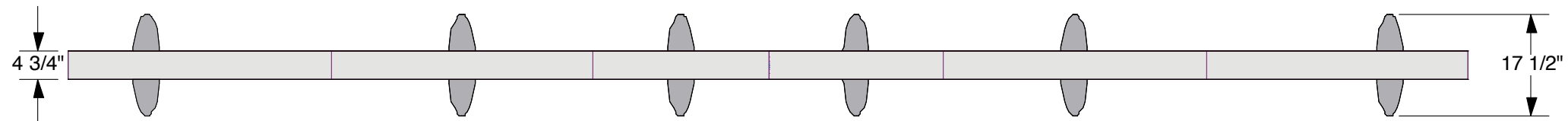
Strip-To-Power Cord
EXTension Cord 12ft

Lights come attached to extrusions. Ensure all lighting strips are connected. Once frame is assembled, connect strip-to-power cords to the end of top and bottom lights chain.
- For bottom lights connect strip-to-power cord to power supply directly.
- For top lights connect extension cord to strip-to-power cord and run with wire management extrusion then connect to power supply.
Run AC power cord out through grommet hole on vertical upright and connect to power outlet.
To remove or re-attach light strips use provided thumbscrews with plate.





FRONT VIEW



TOP VIEW

Profile	Label	#	Description
	001	6	1/4" ALUMINIUM OVAL BASE PLATE 17.5" (444.5mm) x 4.72" (120mm)
	002	1	M1901 - 45" (1143mm) EXTRUSION W/ (1) 45° CUT, (2) HOLES FOR BASE PLATE & LIGHTS
	003	1	M1901 - 45" (1143mm) EXTRUSION W/ (2) HOLES FOR BASE PLATE & LIGHTS
	004	1	M1901 - 30" (762mm) EXTRUSION W/ (2) HOLES FOR BASE PLATE & LIGHTS
	005	1	M1901 - 30" (762mm) EXTRUSION W/ (2) HOLES FOR BASE PLATE & LIGHTS
	006	1	M1901 - 45" (1143mm) EXTRUSION W/ (2) HOLES FOR BASE PLATE & LIGHTS
	007	1	M1901 - 45" (1143mm) EXTRUSION W/ (1) 45° CUT, (2) HOLES FOR BASE PLATE & LIGHTS
	008	1	M1901 - 47.5" (1206.5mm) EXTRUSION W/ (1) 45° CUT, PLASTIC EXTR. & POWER SUPPLY
	009	1	M1901 - 47.5" (1206.5mm) EXTRUSION W/ (1) 45° CUT & PLASTIC EXTRUSION
	010	1	M1901 - 45" (1143mm) EXTRUSION W/ (1) 45° CUT & LIGHTS
	011	1	M1901 - 45" (1143mm) EXTRUSION W/LIGHTS
	012	1	M1901 - 30" (762mm) EXTRUSION W/LIGHTS
	013	1	M1901 - 30" (762mm) EXTRUSION W/LIGHTS
	014	1	M1901 - 45" (1143mm) EXTRUSION W/LIGHTS
	015	1	M1901 - 45" (1143mm) EXTRUSION W/ (1) 45° CUT & LIGHTS
	016	1	M1901 - 47.5" (1206.5mm) EXTRUSION W/ (1) 45° CUT & PLASTIC EXTRUSION
	017	1	M1901 - 47.5" (1206.5mm) EXTRUSION W/ (1) 45° CUT, PLASTIC EXTR. & POWER SUPPLY
	018	1	Z4400 - 30.22" (767.6mm) EXTRUSION W/ (2) TENSION LOCKS
	019	1	Z4400 - 46.88" (1190.6mm) EXTRUSION W/ (1) TENSION LOCKS
	020	1	Z4400 - 46.88" (1190.6mm) EXTRUSION W/ (1) TENSION LOCKS
	021	1	Z4400 - 46.88" (1190.6mm) EXTRUSION W/ (1) TENSION LOCKS
	022	1	Z4400 - 46.88" (1190.6mm) EXTRUSION W/ (1) TENSION LOCKS
	023	1	Z4400 - 46.88" (1190.6mm) EXTRUSION W/ (1) TENSION LOCKS
	024	1	Z4400 - 46.88" (1190.6mm) EXTRUSION W/ (1) TENSION LOCKS
	025	1	Z4400 - 46.88" (1190.6mm) EXTRUSION W/ (1) TENSION LOCKS
	026	1	Z4400 - 46.88" (1190.6mm) EXTRUSION W/ (1) TENSION LOCKS
	027	1	Z4400 - 30.22" (767.6mm) EXTRUSION W/ (2) TENSION LOCKS
		8	Z966 90° CORNER INTERNAL CONNECTOR
		28	Z967 STRAIGHT INTERNAL CONNECTOR
		12	5/16-18 FLAT HEAD SCREW 0.75" LONG FOR BASE PLATES
		2	240"W (6096mm) x 95"H (2413mm) DYESUB GRAPHIC W/ SEG WELT ALL 4 SIDES

GRAPHIC
Extrusion fabric groove

fabric graphic w/silicon edge

Insert the silicon edge of the fabric into the groove of the extrusions.

Start on the corners, than centers and work your way to corners from center on both directions.

To pull fabric graphic out of extrusion groove use pull tab on corner.

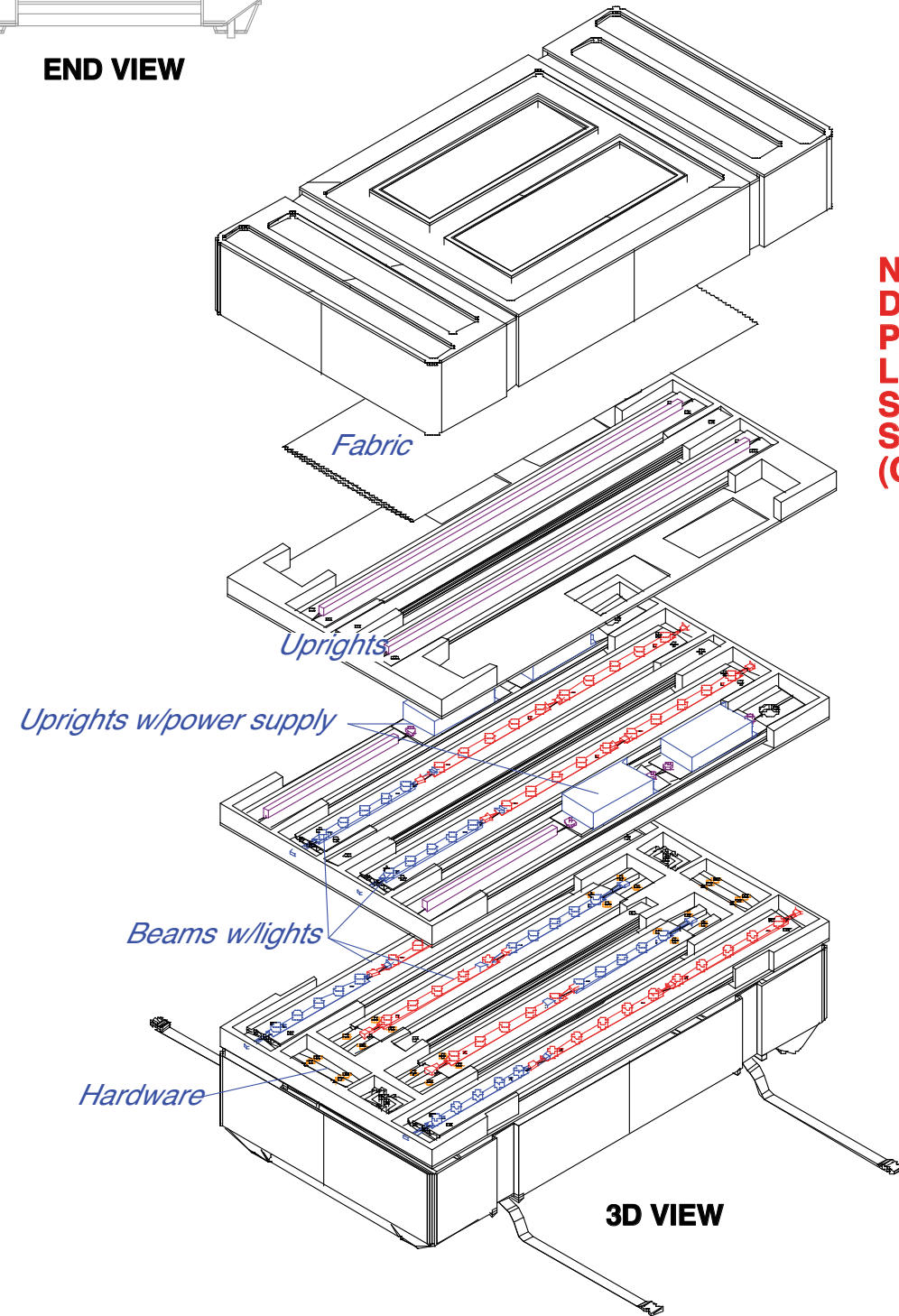
WALL ASSEMBLY (OPTIONAL)

Attach wall bracket to top extrusion groove with provided hammerhead screws. Locate position of wall bracket on extrusion (preferably by wood stud) by sliding the bracket on the extrusion and tighten it. Secure the frame to the wall with provided wood screw.

ULTRAFORM CASE #1
10'W x 8'H Configuration



END VIEW

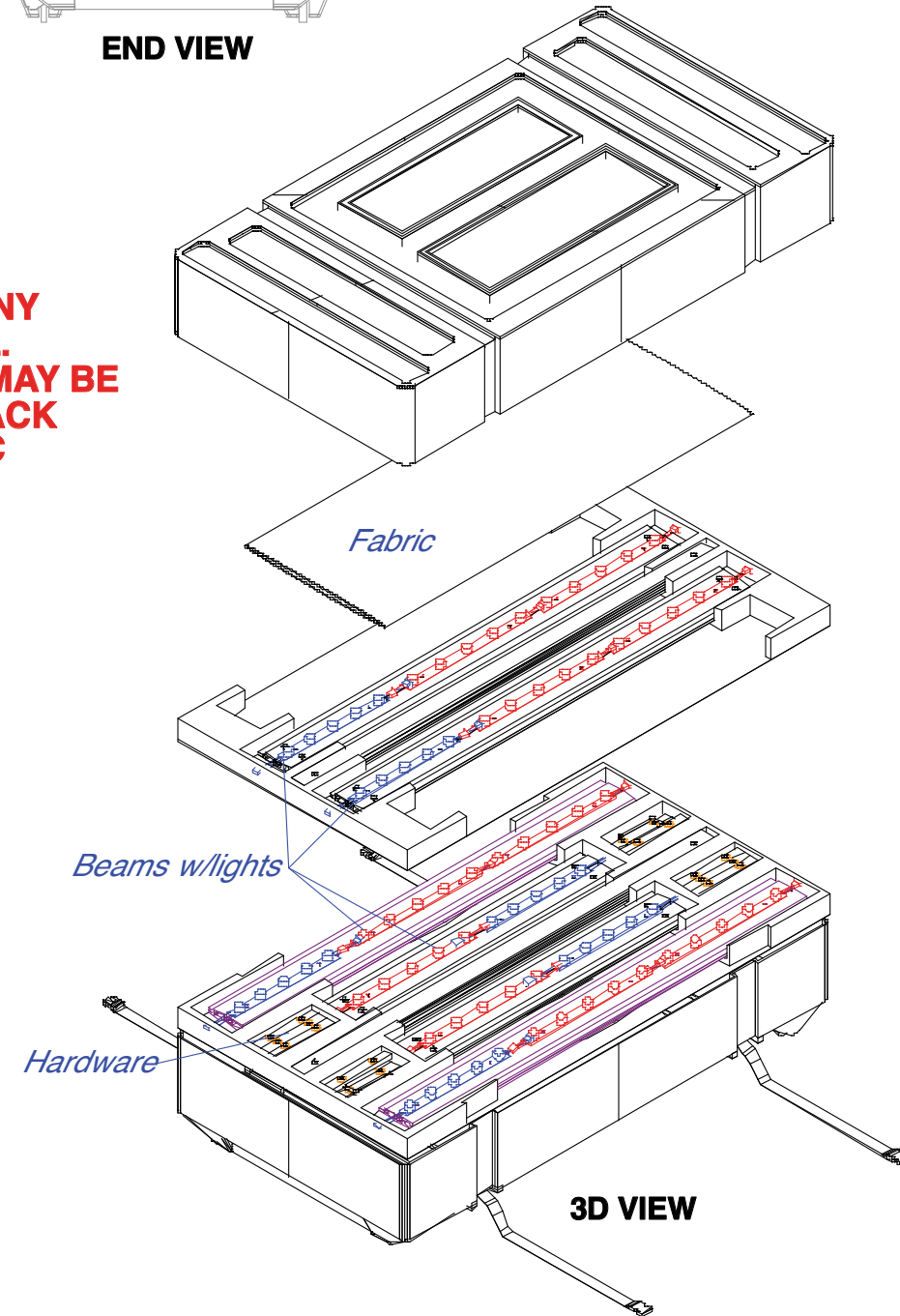


3D VIEW

ULTRAFORM CASE #2
20'W x 8'H Configuration

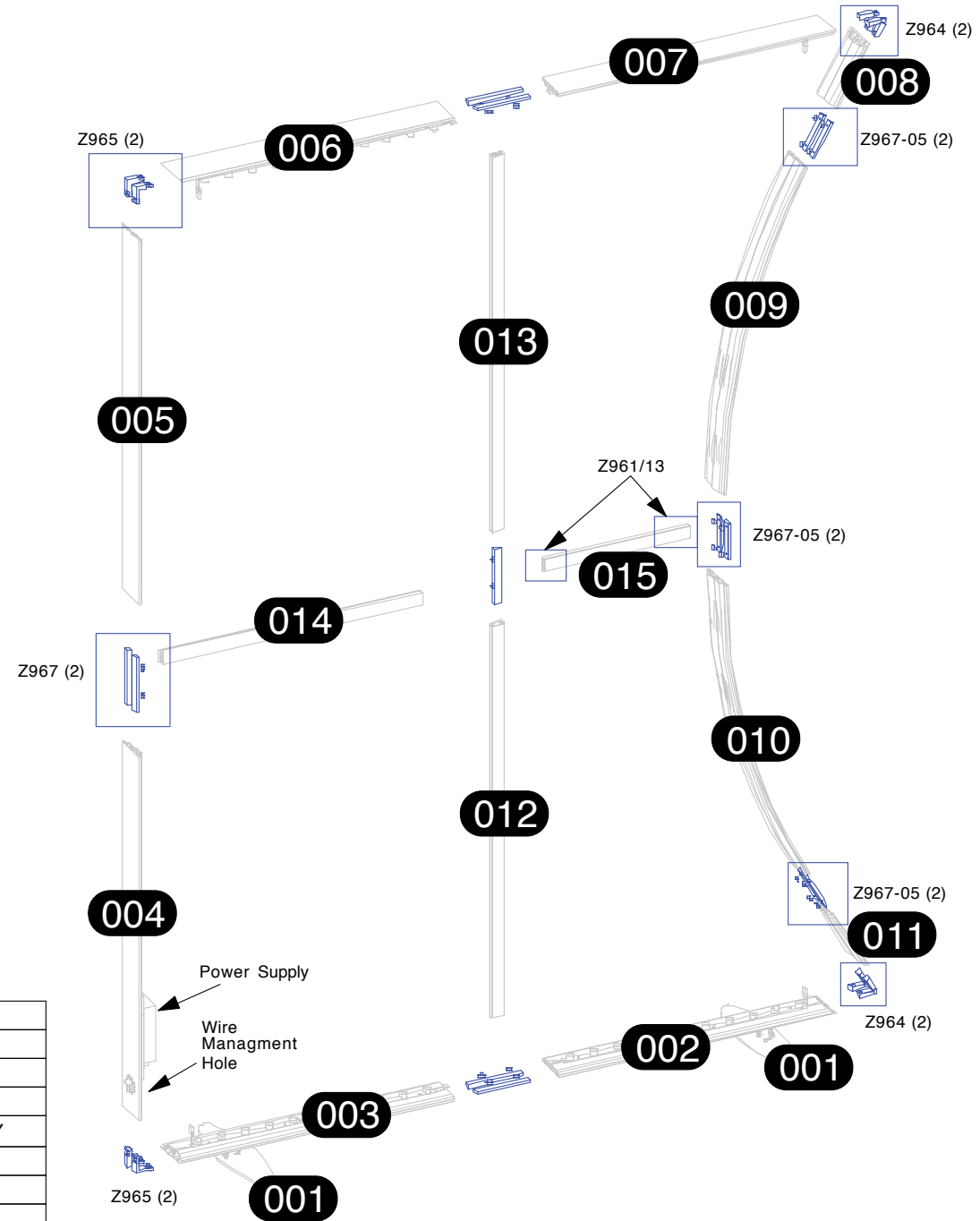
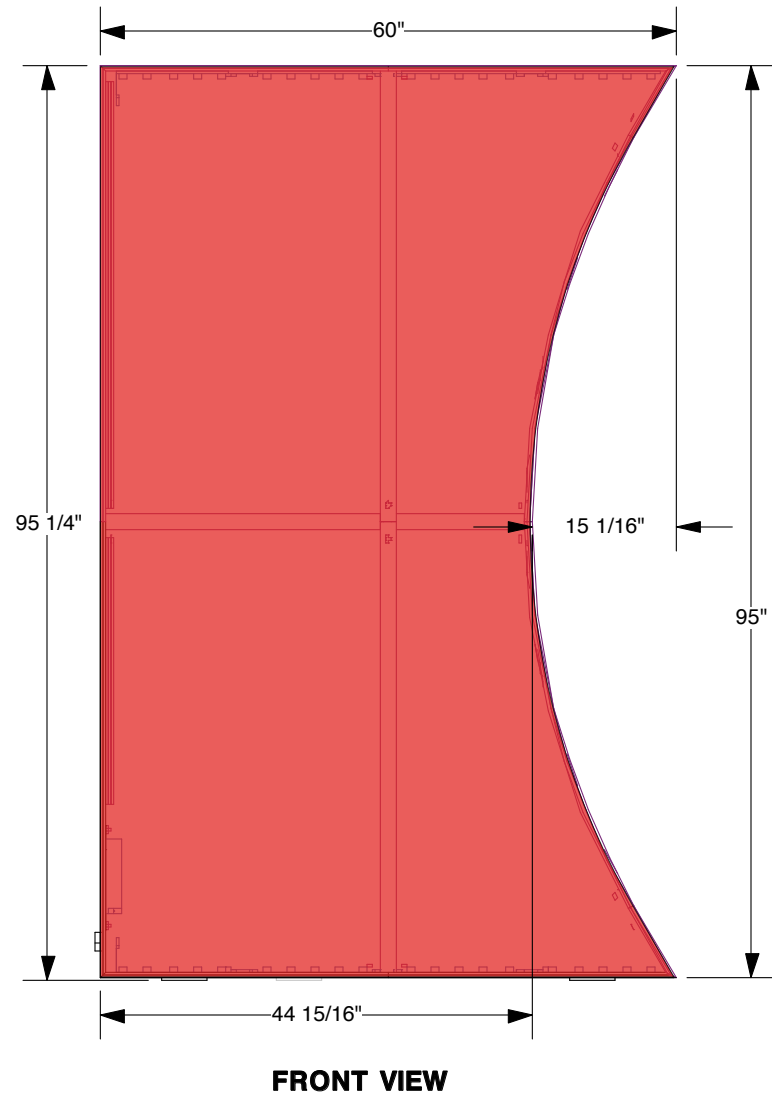


END VIEW



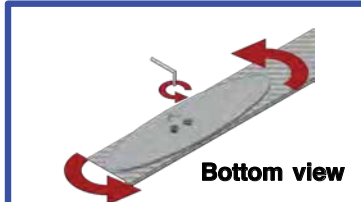
3D VIEW

NOTE:
DO NOT DISCARD ANY
PACKING MATERIAL.
LEVELS OF PARTS MAY BE
SEPARATED BY BLACK
SHEETS OF PLASTIC
(COROPLAST).

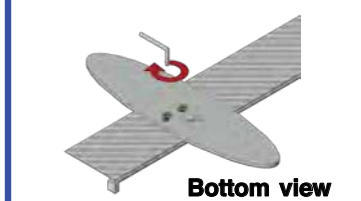


Profile	Label	#	Description
	001	2	1/4" ALUMINIUM OVAL BASE PLATE 17.5" (444.5MM) x 4.72" (120MM)
	002	1	M1901 30" (762 MM) EXTRUSION W/30° & (2) HOLES FOR BASE PLATE & LIGHTS
	003	1	M1901 30" (762 MM) EXTRUSION W/45° & (2) HOLES FOR BASE PLATE & LIGHTS
	004	1	M1901 47.5" (1206.5 MM) EXTRUSION W/ (1) 45° CUT, PLASTIC EXTR. & POWER SUPPLY
	005	1	M1901 47.5" (1206.5 MM) EXTRUSION W/ (1) 45° CUT, PLASTIC EXTR
	006	1	M1901 30" (762 MM) EXTRUSION W/45° & LIGHTS
	007	1	M1901 30" (762 MM) EXTRUSION W/30° & LIGHTS
	008	1	M1901 8.66" (200 MM) EXTRUSION W/ (1) 30° CUT
	009	1	M1901 60" (1524 MM) RADIUS CURVED EXTRUSION
	010	1	M1901 60" (1524 MM) RADIUS CURVED EXTRUSION
	011	1	M1901 8.66" (200 MM) EXTRUSION W/ (1) 30° CUT
	012	1	Z4400 46.88" (1190.6 MM) EXTRUSION W/ (1) TENSION LOCK & SPLICE HOLE
	013	1	Z4400 46.88" (1190.6 MM) EXTRUSION W/ (1) TENSION LOCK & SPLICE HOLE
	014	1	Z4400 28.59" (726.3 MM) EXTRUSION W/ (2) TENSION LOCK
	015	1	Z4400 13.5" (342.9 MM) EXTRUSION W/ (2) TENSION LOCK
		4	Z965 90° CORNER INTERNAL CONNECTOR
		4	Z964 ADJUSTABLE ANGLE CORNER INTERNAL CONNECTOR
		7	Z967 STRAIGHT INTERNAL CONNECTOR
		6	Z967-05 STRAIGHT INTERNAL CONNECTOR FOR CURVED EXTRUSION
		4	5/16-18 FLAT HEAD SCREW 0.75" LONG FOR BASE PLATES
		2	60"W (1524 MM) x 95"H (2413 MM) DYESUB GRAPHIC W/ SEG WELT ALL 4 SIDES

1. Slide straight connector (Z967 & Z967-05) into inner channel of extrusion. Turn screw enough to hold connector in place.
2. Take another extrusion and slide onto straight connector. Tighten both screws to connect extrusions together.
3. Repeat above steps to connect all spliced extrusions together.
4. Slide corner connector (Z966 & Z964) into both sides of horizontal extrusions. Turn each screw enough to hold connector in place.
5. Slide vertical extrusions onto corner connectors of top horizontal extrusion. Turn each screw enough to hold connector in place.
6. Finish frame assembly by sliding corner connectors of bottom horizontal extrusion into inner channel of vertical extrusions and tighten the screws to secure frame extrusions together.



Loosen the screws on base plate but do not remove them. Then swivel base plates.



Tighten both screw firmly.

Z965 - Corner Connector
Z964 - Adjustable Corner

Connect frame extrusions together, as shown, using Torx tool (included). Do not overtighten.

NOTE: Remove corner connectors from extrusions before packing

Z967 - Straight Connector
Z967-05 - Straight Connector for Curved Extrusion

Connect frame spliced extrusions together, as shown, using Torx tool (included). Do not overtighten.

NOTE: Remove connectors from beams before packing

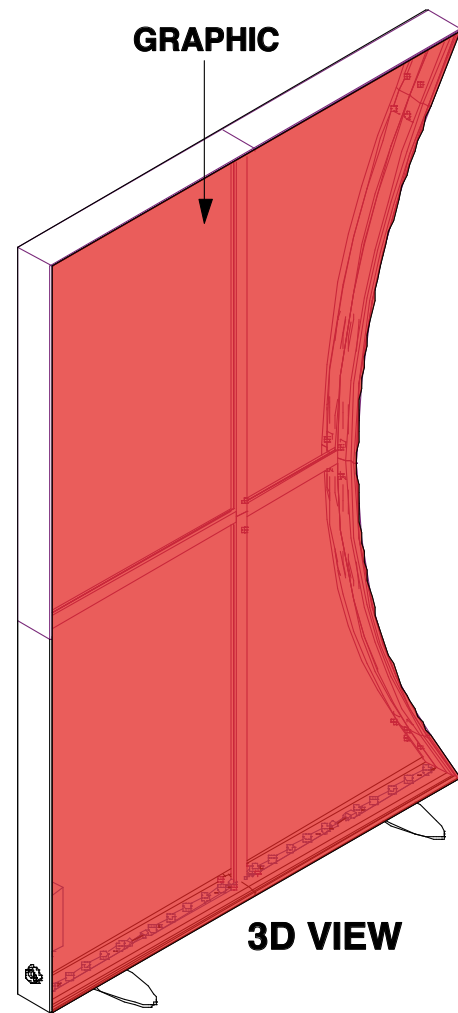
Z967 - Straight Connector

Connect frame spliced extrusions together, as shown, using Torx tool (included). Do not overtighten.

NOTE: Remove connectors from beams before packing

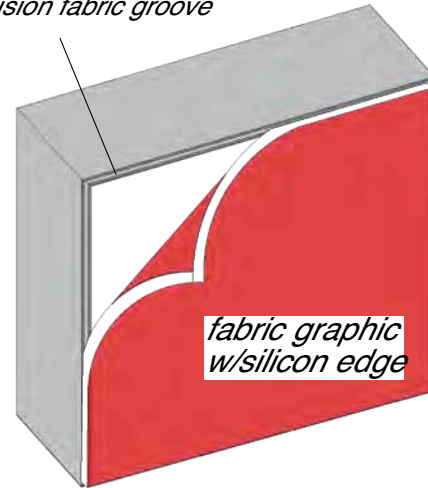
Z961/13 - Tension Lock

Place tension lock into groove. Insert Torx 30 wrench and turn 1/2 turn



GRAPHIC

Extrusion fabric groove

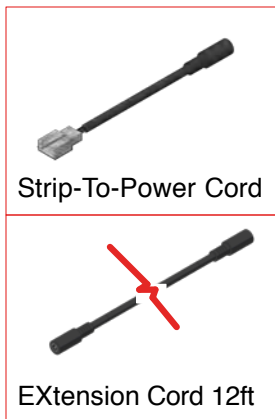
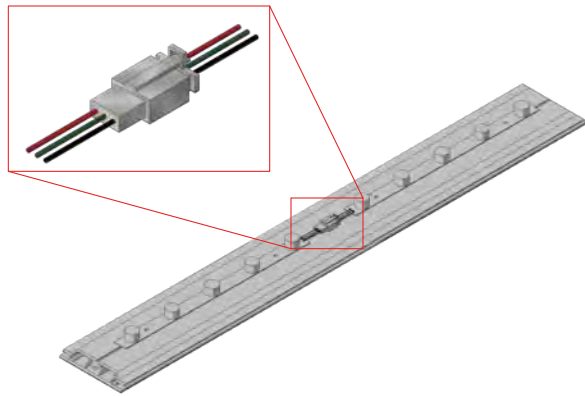


Insert the silicon edge of the fabric into the groove of the extrusions.

Start on the corners, then centers and work your way to corners from center on both directions.

To pull fabric graphic out of extrusion groove use pull tab on corner.

LIGHTS DETAILS



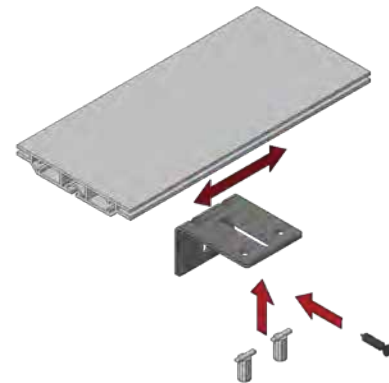
Lights come attached to extrusions. Ensure all lighting strips are connected. Once frame is assembled, connect strip-to-power cords to the end of top and bottom lights chain.

- For bottom lights connect strip-to-power cord to power supply directly.
- For top lights connect extension cord to strip-to-power cord and run with wire management extrusion then connect to power supply.

Run AC power cord out through grommet hole on vertical upright and connect to power outlet.

To remove or re-attach light strips use provided thumbscrews with plate.

WALL ASSEMBLY (OPTIONAL)



Attach wall bracket to top extrusion groove with provided hammerhead screws. Locate position of wall bracket on extrusion (preferably by wood stud) by sliding the bracket on the extrusion and tighten it. Secure the frame to the wall with provided wood screw.

PACKING DIAGRAM



NOTE:
DO NOT DISCARD ANY PACKING MATERIAL.
LEVELS OF PARTS MAY BE SEPARATED BY WHITE SHEETS OF PLASTIC, COROPLAST OR CARDBOARD.

