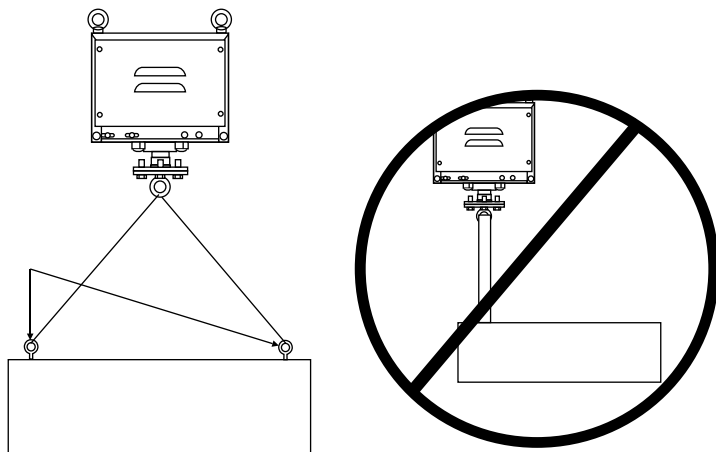





Model Cyclone-4 Hang Installation and Maintenance Instructions

For ALL installations:

- Display or sign load MUST be balanced.
 - Do NOT exceed rated capacity of unit.
-



Questions? Call 800-657-2650 for help

 WARNING	
	Disconnect power before servicing or installing. Do not touch any electrical components while unit is connected to power source.
	Keep hands clear while operating. Read installation and maintenance instructions prior to operation.

