

Formulate Backwall Accent - 05

FMLT-WBWA-05

Formulate™ Master Accents enhance the functionality of the Formula Master 20' Straight backwall and add more real estate for messaging too!



features and benefits:

- Premium aluminum tube frames with snap button assembly
- Easy to store and ship
- Quick to set up
- Weighted feet for added stability
- One zipper pillowcase fabric graphic
- Lifetime limited hardware warranty against manufacturer defects
- 48.82" w tabletop included on interior of accent

dimensions:

Hardware	Graphic
<p>Assembled unit: 51.82" w x 96.87" h x 103.65" d 1316mm(w) x 2460mm(h) x 2632mm(d)</p> <p>Approximate weight with cases: 62 lbs / 28 kgs</p>	<p>Refer to related graphic template for more information.</p> <p>Visit: www.exhibitors-handbook.com/graphic-templates</p>
Shipping	
<p>Packing case(s): 1 OCL Case</p> <p>Shipping dimensions: OCL: 57" l x 19" w x 19" h 1448mm(l) x 483mm(w) x 483mm(h)</p> <p>Approximate total shipping weight (includes cases & graphics): 89 lbs / 40.4 kgs</p>	
	additional information:
	<p>Graphic material: dye-sublimation zipper pillowcase fabric</p>

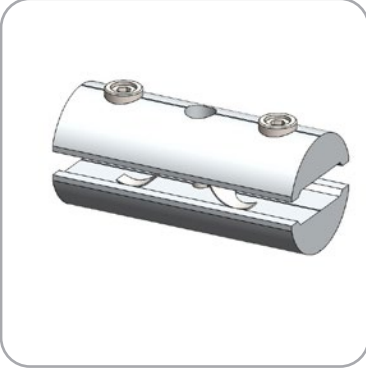
We are continually improving and modifying our product range and reserve the right to vary the specifications without prior notice. All dimensions and weights quoted are approximate and we accept no responsibility for variance. E&OE. See Graphic Templates for graphic bleed specifications.

Included In Your Kit

Tools, Components & Connectors



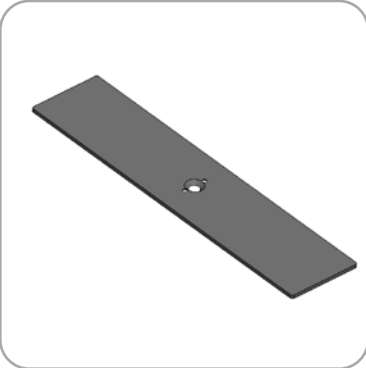
ALLEN KEY SET x1



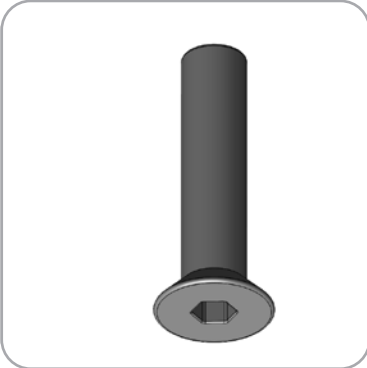
ES30 x12



ES50-2W x2



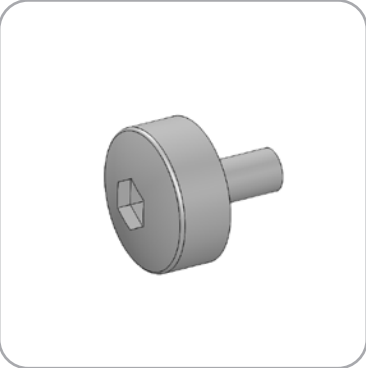
LN114-S2-450 x2



LN114-SCRW x2

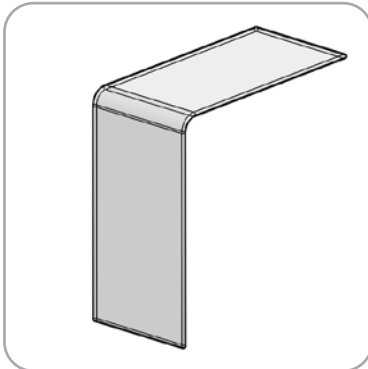


CT-FMLT-WBWA-05 x1



THUMBSCREW x4

Graphics



FMLT-WBWA-05-G x1

Included In Your Kit

Tubes



WBWA-05-T1 x2



WBWA-05-T2 x1



WBWA-05-T3 x1



WBWA-05-T4 x4



WBWA-05-T5 x2



WBWA-05-T6 x2



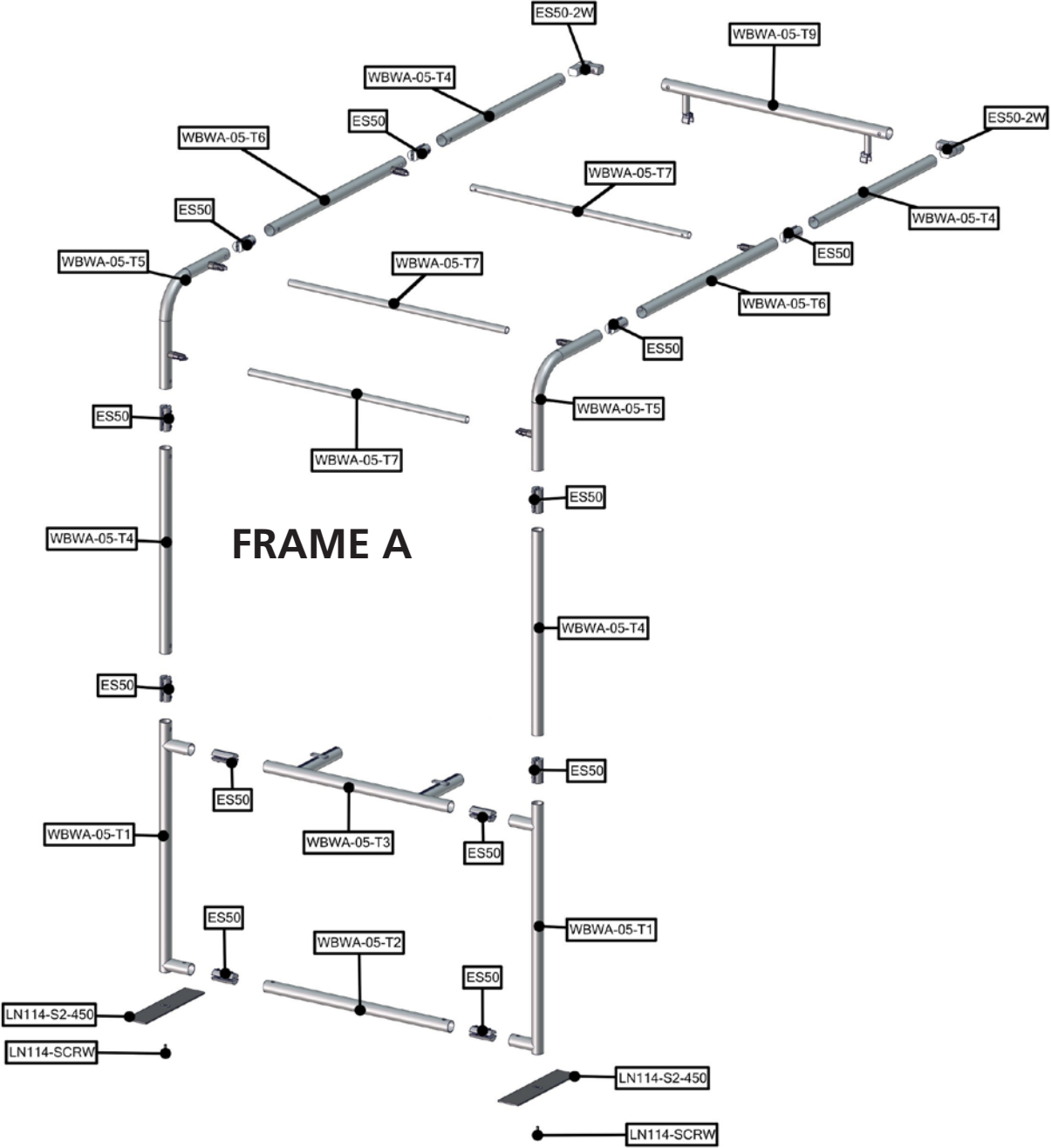
WBWA-05-T7 x3



WBWA-05-T9 x1

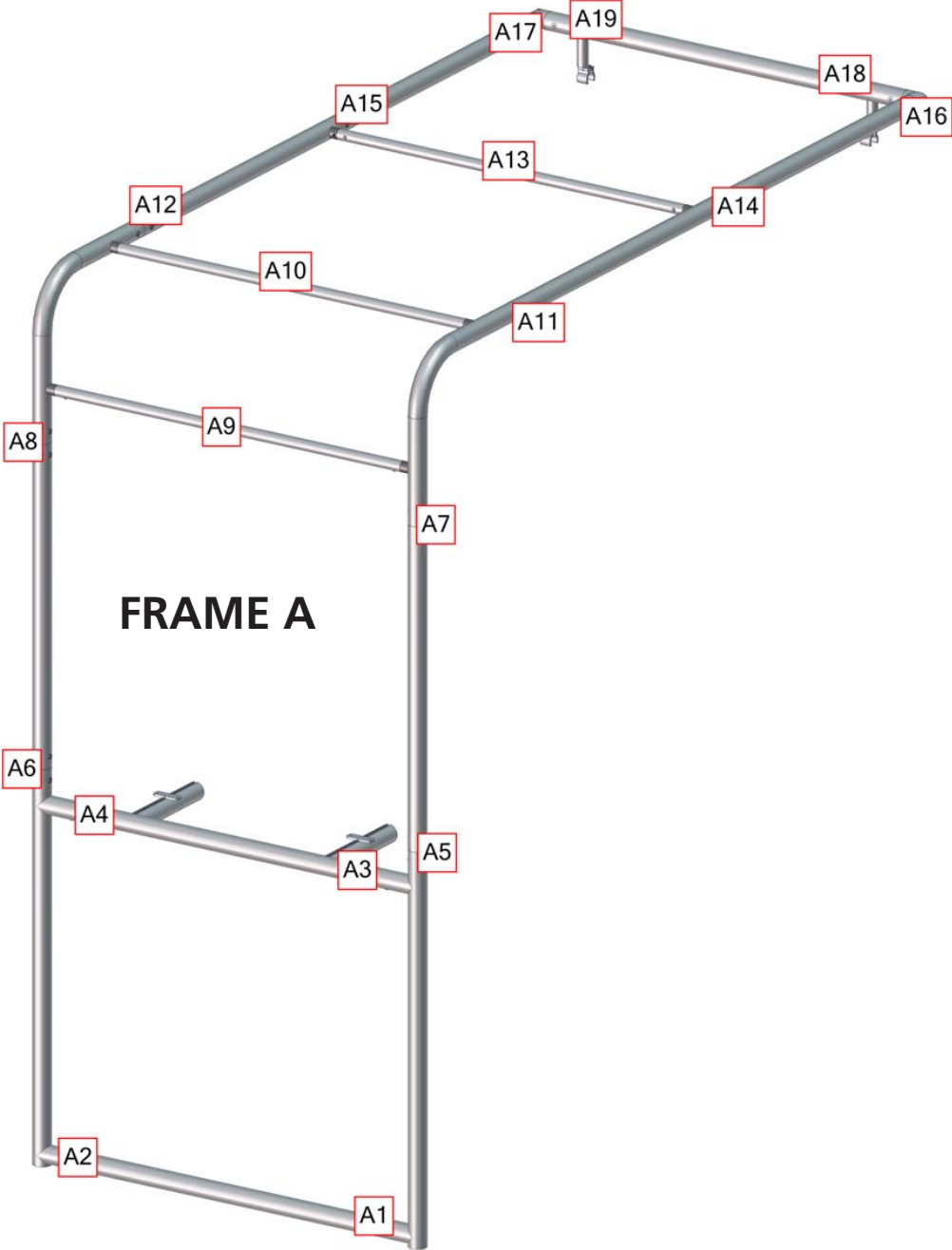
Exploded View

FMLT-WBWA-05



Labeling Diagram

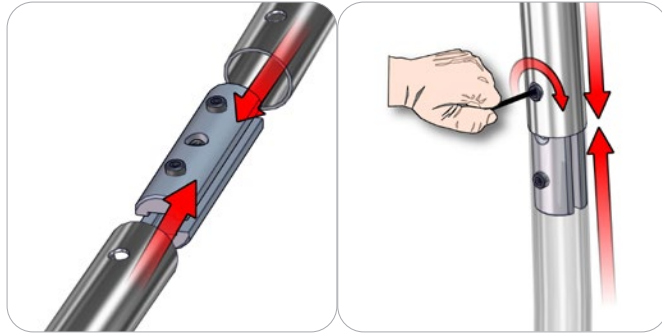
FMLT-WBWA-05



Connection Methods

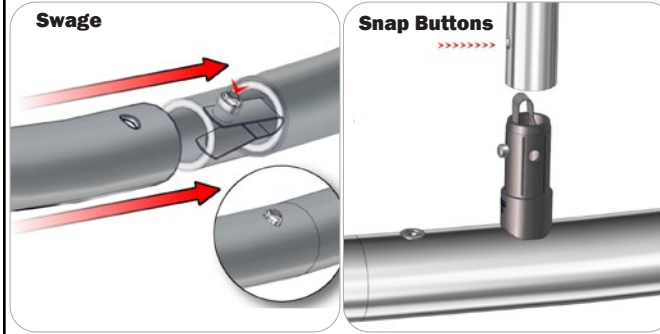
Formulate™ structures use a number of different yet simple connection methods. Your kit will include one or more of the connection methods shown below. Steps within the Kit Assembly will reference a specific method for each connection point.

Connection Method 1: ES30 / ES50 / ES75



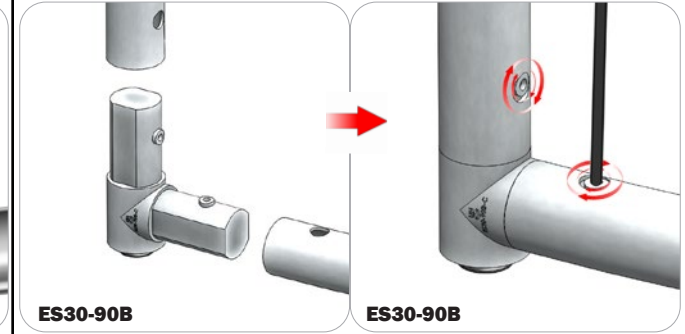
Compress the unlocked connector and slide one tube onto each end. Lock both screws carefully using your allen key tool. Be sure to lock securely, but do not overtighten.

Connection Method 2: Snap Buttons & Swage



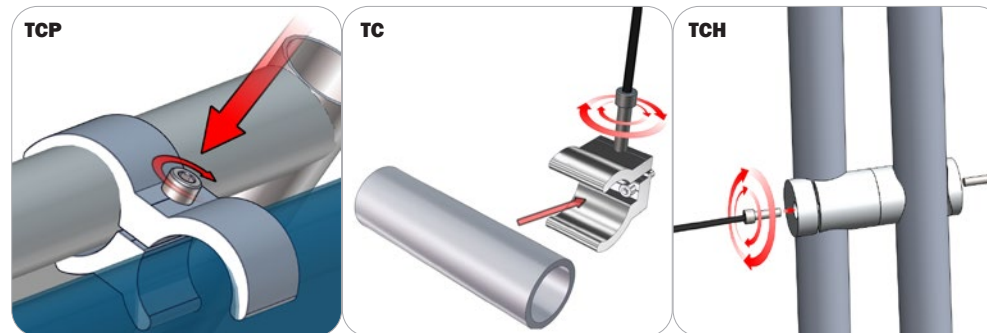
Locate the snap button on the connector or swage tube. Locate the hole on the corresponding tube. Press the snap button with your thumb and slide the tube and connector together so that the snap button snaps fully into the lock hole. To disassemble, press the snap button and pull apart.

Connection Method 3: ES30-90B / ES30-I / ES30-C



Compress one unlocked end of the connector and slide it through one tube end. Compress the other end of the connector and slide the second tube on. Lock both screws carefully using your allen key tool. Be sure to lock securely, but do not overtighten.

Connection Method 4: Tube Clamps



Be sure to fully assemble all frames before using clamps. With the clamp unlocked, place one tube of the first frame into the mouth of the clamp. Place the second tube (if applicable) into the second mouth of the clamp. With both frame's tubes in the clamp, be sure to lock securely, but do not overtighten.

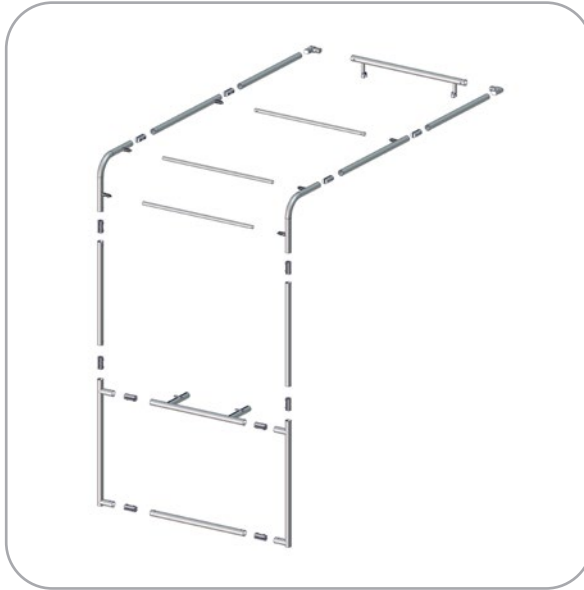
Kit Assembly

Step by Step

Step 1.

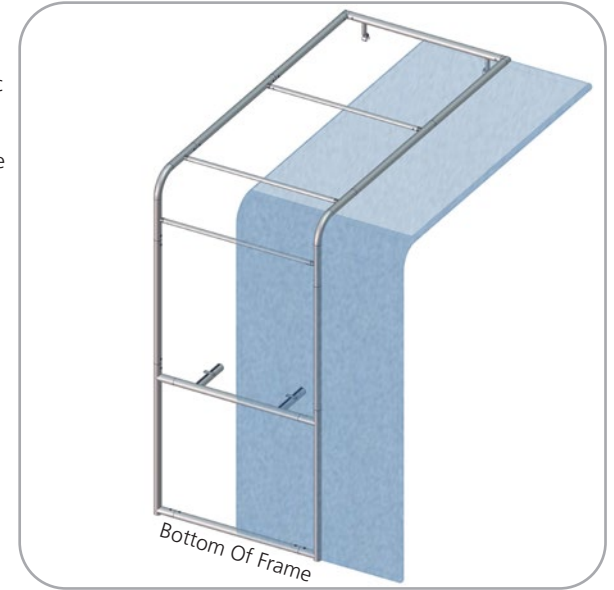
Gather the components necessary to assemble the frame. Assemble your frame following the order specified in the Labeling Diagram.

Please reference Connection Methods 1, 2 and 3 for more details.



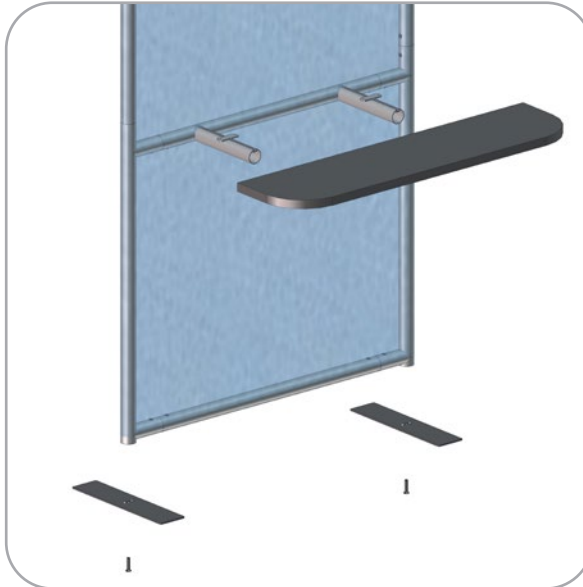
Step 2.

Locate FMLT-WBWA-05-G graphic cover. With the frame flat on the floor or on its side, pull the cover over the side of the frame. Zip the fabric cover at the bottom end and side to enclose the frame.



Step 3.

Locate the counter top for connecting it to the protruding frame extrusions with thumb screws. Using the provided allen key set, attach the LN114-S2-450s to the bottom of the frame as shown in the figure to the right.



Step 4.

Locate the tube clamps on the upper back end of the frame. Using the provided allen key set, fasten the clamp onto your existing backwall unit.

Note: The backwall unit must be 92.49" h in order to work with this accessory.

Please reference Connection Method 4 for more details.

