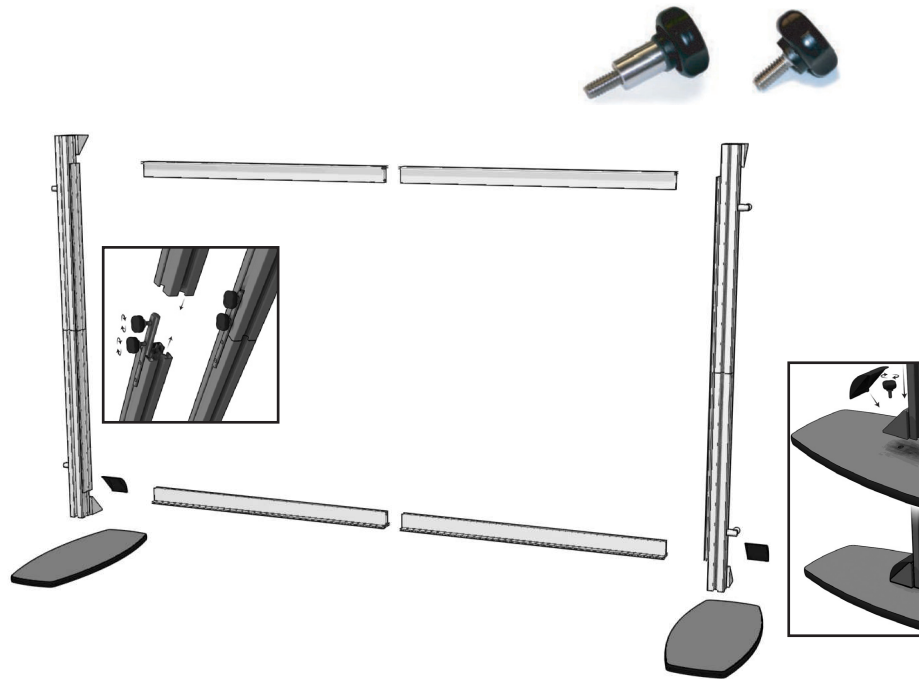


PARTS LIST

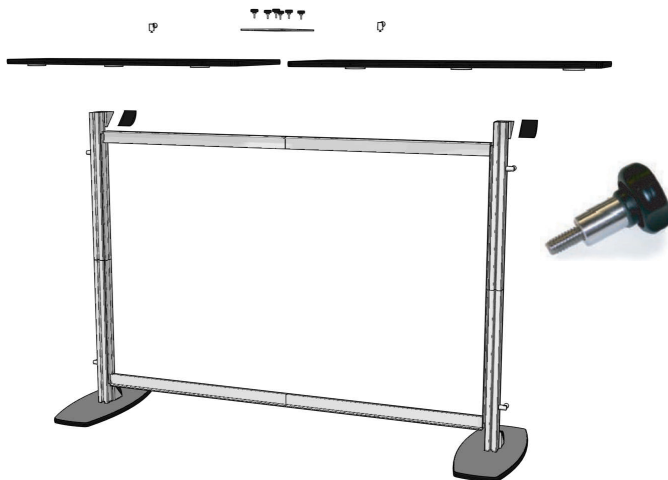
- A.) x2 - Bases
- B.) x1 - Header
- C.) x2 - Wings
- D.) x1 - Joining Plate
- E.) x1 - L= 22.5" Top Left Column
- F.) x1 - L=22.5" Top Right Column
- G.) x1 - L=22.5" Bottom Left Column
- H.) x1 - L=22.5" Bottom Right Column
- I.) x1 - SEG graphic
- J.) x1 - L=29.25" Top Left Crossbar
- K.) x1 - L=29.25" Top Right Crossbar
- L.) x1 - L=29.25" Bottom Left Crossbar
- M.) x1 - L=29.25" Bottom Right Crossbar
- N.) x1 - Left & Right Canopies
- O.) x2 - Canopy Grippers

Step 1. Attach bases to bottom columns; attach top columns to bottom columns. Assemble 2-piece crossbars; attach to columns.



Step 2. Assemble 2-piece canopy secure using x6 short knobs & joining plate. Attach canopy to top columns using x2 short knobs; attach grippers.

Step 3. Attach wings & header using grippers.



Step 4. Attach SEG graphic.

Complete

