

Model Cyclone-650 Hang

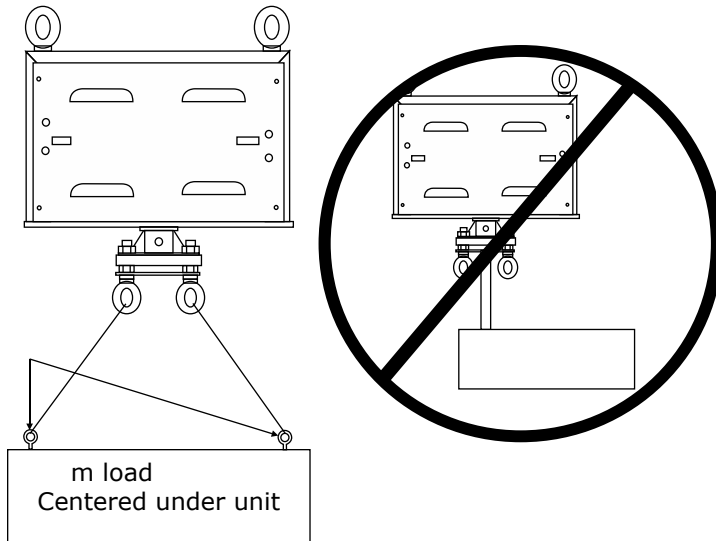
Installation and Maintenance Instructions

Questions? Call our team for help

For ALL installations:

- Display or sign load MUST be balanced.
- Do NOT exceed rated capacity of unit.

Display or Sign hanging from Rotator:






- Max hanging weight = 500 lbs
- Eyebolts can be added for rigging.
- Hanging load MUST be balanced and centered under unit.
- Use wire rope to allow hanging sign to self-balance.
- Do NOT allow bare wire rope to rub on eyebolts.
- Wire rope should be protected to prevent fraying or failure.

Maintenance:

No regular maintenance is required for this unit.

Model Cyclone-650 Hang Electrical Connections

Questions? Call our team for help

 WARNING	
	Disconnect power before servicing or installing. Do not touch any electrical components while unit is connected to power source.
	Keep hands clear while operating. Read installation and maintenance instructions prior to operation.

