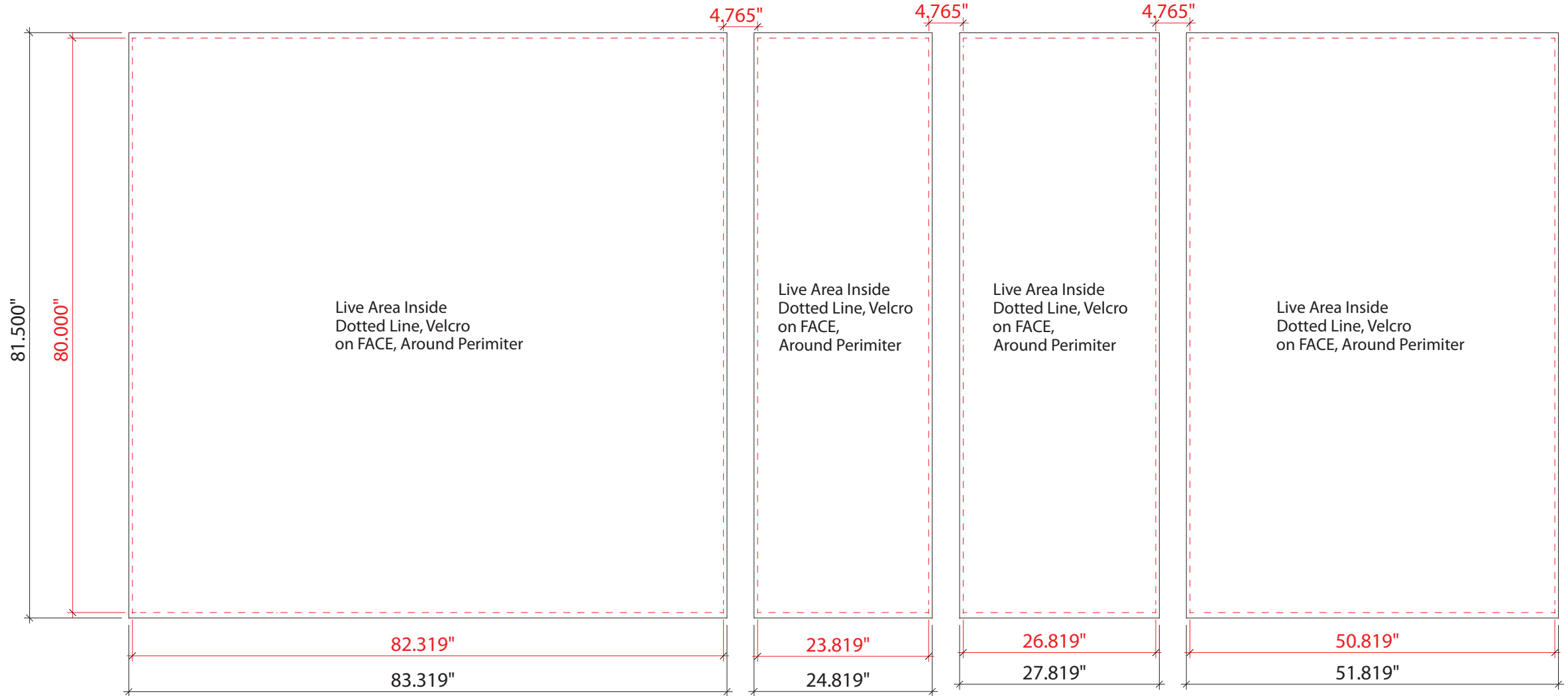


NOTE: Graphic files must be @ 150 dpi Finished Size.  
 DO NOT send Flattened Files. Production can not manipulate  
 the content, proportion or color of these files.

NOTE: These dimensions are for graphic layout purposes.  
 Graphic needs to be cut and test fitted to frame.

Product Name: VK-2044
Process: HD Dye Sub
Material: Poly Knit 9
Effective Date: 05/02/2012



VK-2044 Backwall Fabric Graphic Dims  
with Accessories

NOTE: Graphic files must be @ 150 dpi Finished Size.  
DO NOT send Flattened Files. Production can not manipulate  
the content, proportion or color of these files.

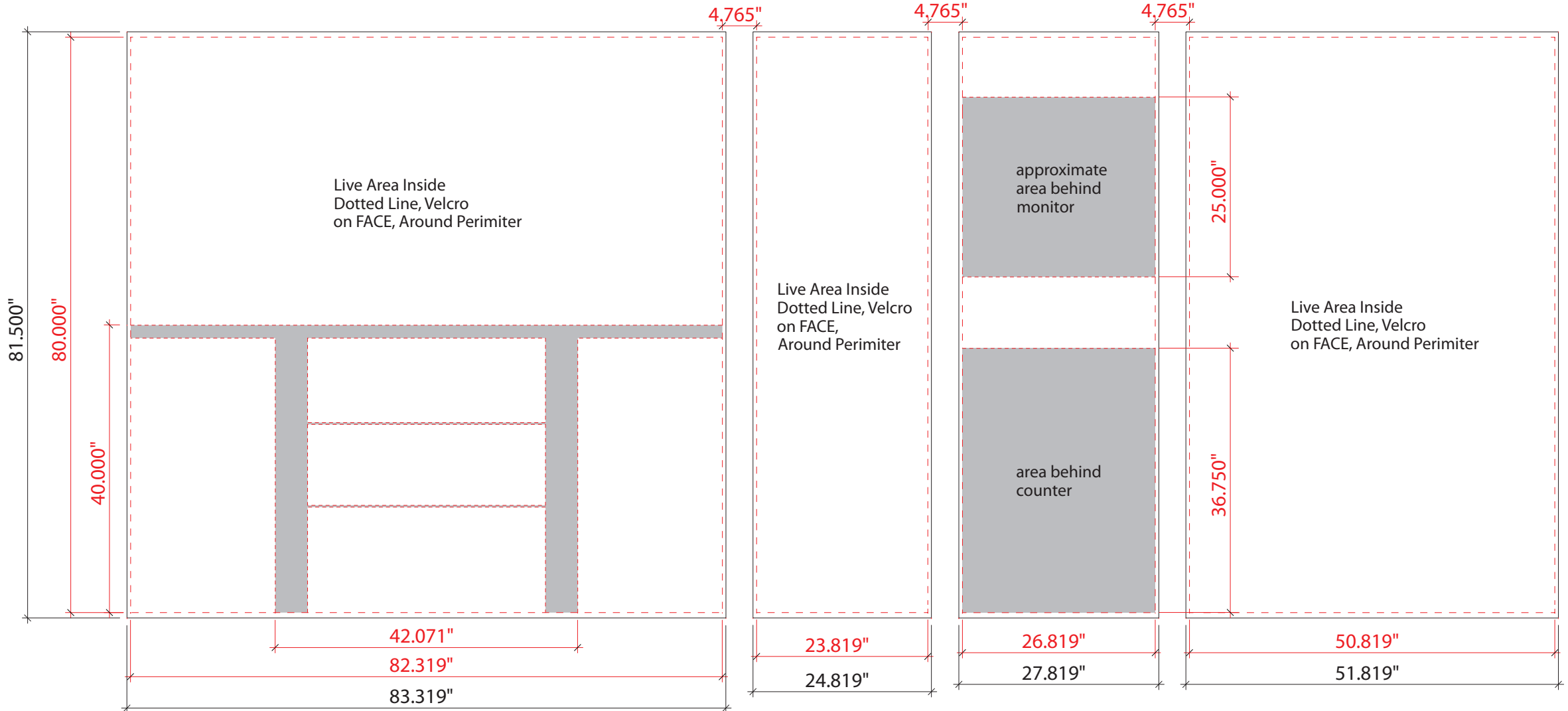
NOTE: These dimensions are for graphic layout purposes.  
Graphic needs to be cut and test fitted to frame.

Product Name: VK-2044

Process: HD Dye Sub

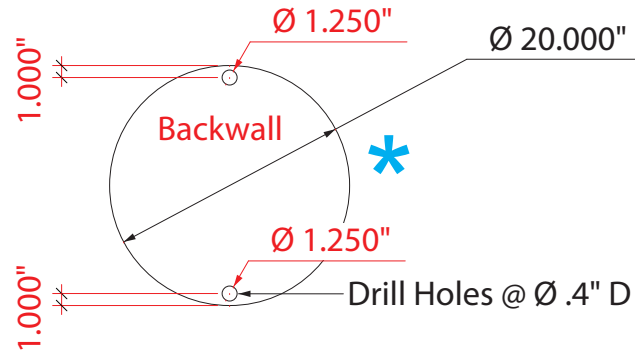
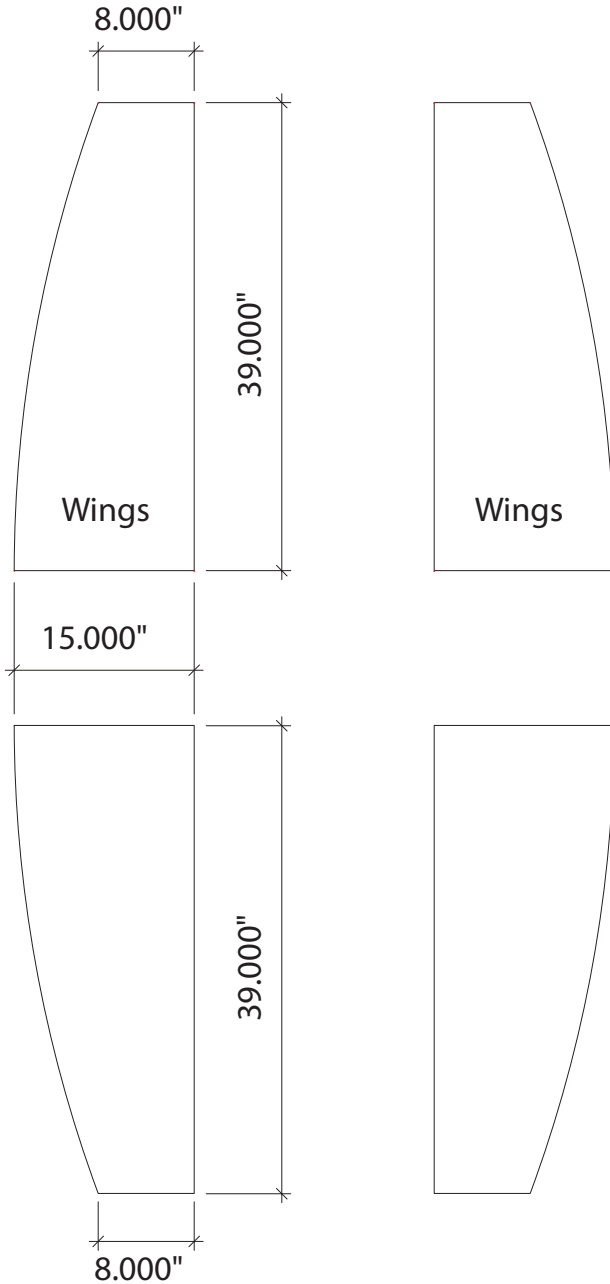
Material: Poly Knit 9

Effective Date: 05/02/2012

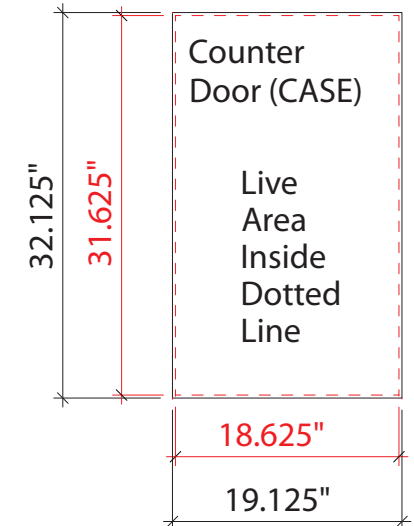
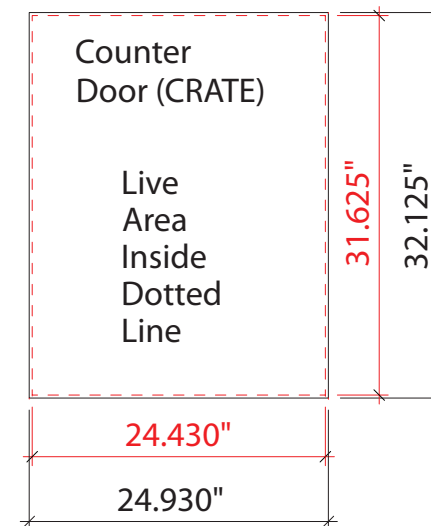
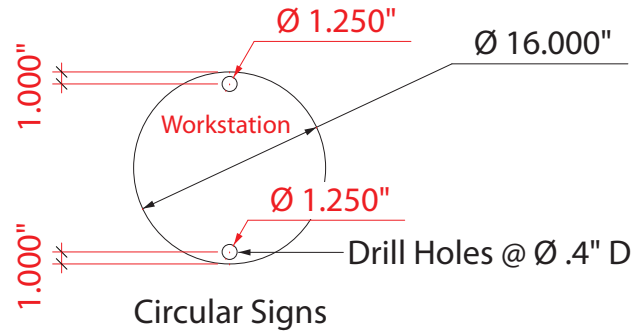


VK-2044 Sintra Panel Graphic Dims

Product Name: VK-2044
Process: Direct Print
Material: 1/8" Sintra
Effective Date: 05/02/2012



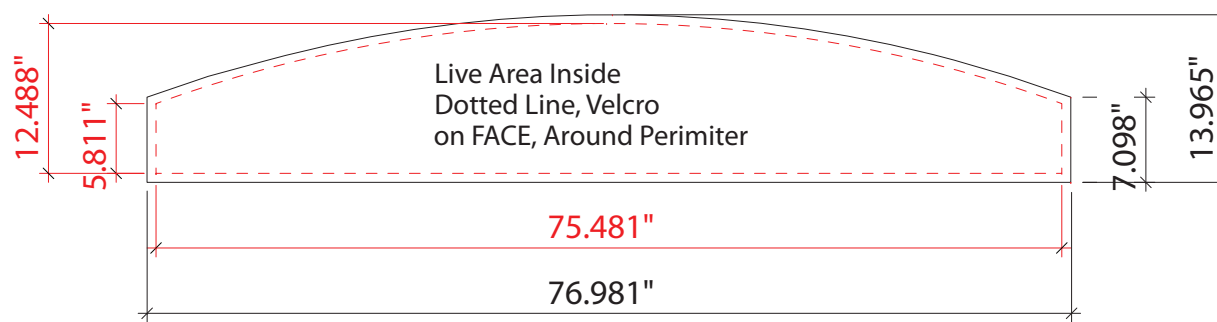
\* Note: When using the round sign, a portion of the backwall graphic will be covered. Please design graphic layout according to desired Header shape and location.



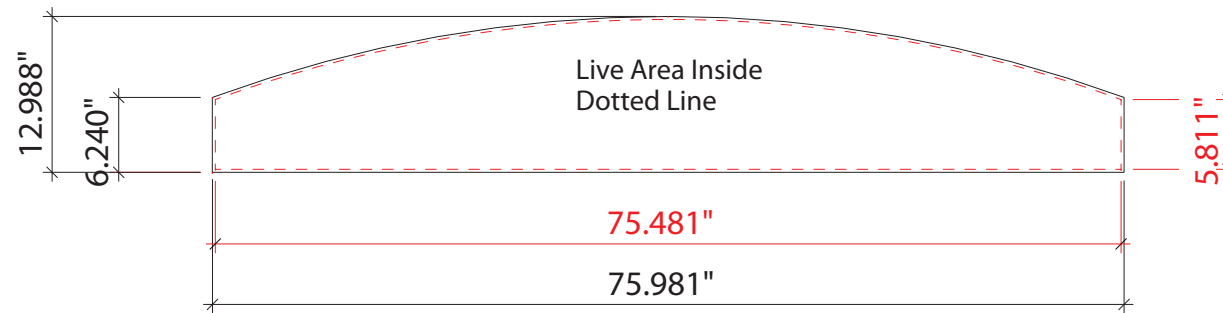
NOTE: Graphic files must be @ 150 dpi Finished Size.  
DO NOT send Flattened Files. Production can not manipulate  
the content, proportion or color of these files.

NOTE: These dimensions are for graphic layout purposes.  
Graphic needs to be cut and test fitted to frame.

Product Name: VK-2044
Process: Direct Print / HD Dye Sub
Material: 1/8" Sintra / Poly Knit 9
Effective Date: 05/02/2012



Fabric Header



Sintra Header