

Formulate Charging Counter

FMLT-CHRG-COUNTER-01

The Formulate™ Charging Counter adds technology and great value for visitors in need of a quick charge. Excellent for retail applications, trade shows and events.



features and benefits:

- Features 8 high-speed charging tips: (4) Micro USB for Android devices and (4) Apple 8-pin for Apple iPhone/iPad/Lightning devices
- Tabletop offered in choice of four thermoform color options
- Lifetime limited hardware warranty against manufacturer defects

dimensions:

Hardware	Graphic
<p>Assembled unit: 23.72" w x 41.54" h x 23.62" d 602mm(w) x 1055mm(h) x 600mm(d)</p> <p>Approximate weight with cases: 64 lbs / 29 kgs</p>	<p>Refer to related graphic template for more information.</p> <p>Visit: www.exhibitors-handbook.com/graphic-templates</p>
Shipping	
<p>Packing case(s): 1 OCH2 Case</p> <p>Shipping dimensions: 52" l x 29" w x 15" h 1321mm(l) x 737mm(w) x 381mm(h)</p> <p>Approximate total shipping weight (includes cases & graphics): 66 lbs / 29.9 kgs</p>	
additional information:	
<p>Graphic material: dye-sublimation zipper pillowcase fabric</p>	

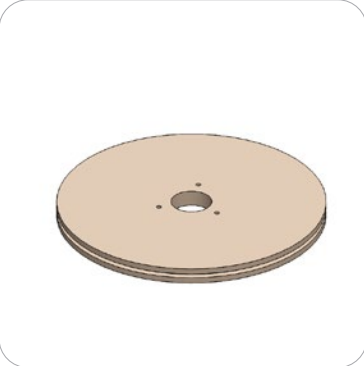
We are continually improving and modifying our product range and reserve the right to vary the specifications without prior notice. All dimensions and weights quoted are approximate and we accept no responsibility for variance. E&OE. See Graphic Templates for graphic bleed specifications.

Included In Your Kit

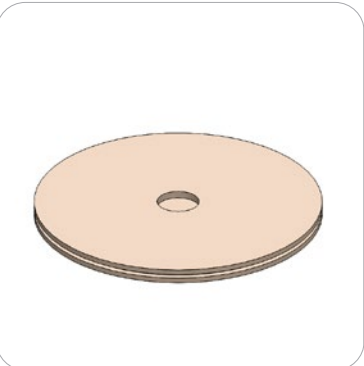
Tools, Components, & Connectors



TRI30-COUNTER x1



FMLT-CHRG-01-BASE x1



FMLT-CHRG-01-TOP x1



COUNTER TOP CAP x1



USB CABLE x2



SET SCRW 5/16X18X2 x6

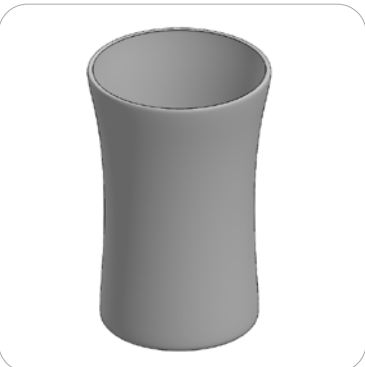


5/16-18 FLANGE WINGNUT x6



USB CABLE x2

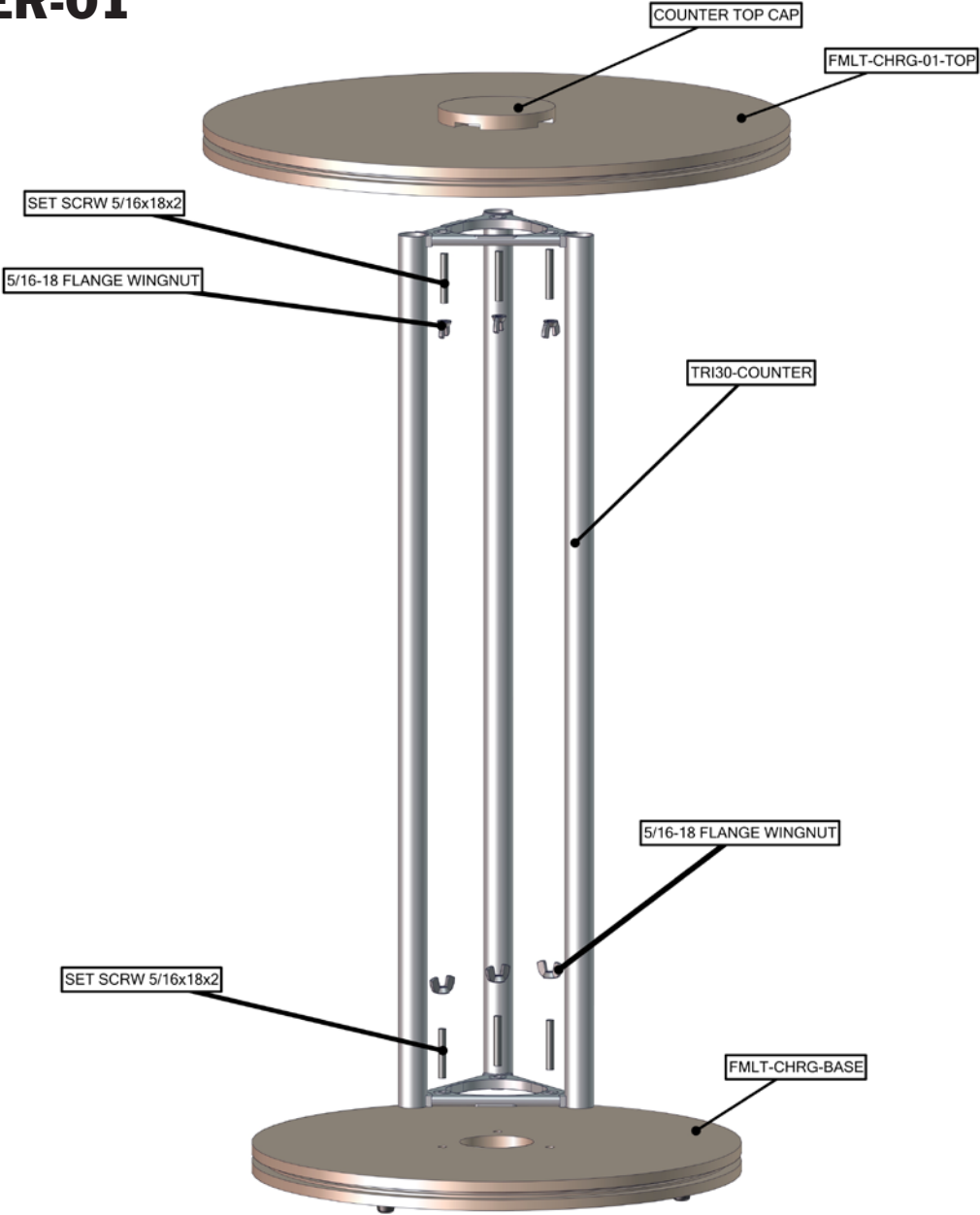
Graphics



FMLT-CHRG-COUNTER-01-G x1

Exploded View

FMLT-CHRG-COUNTER-01

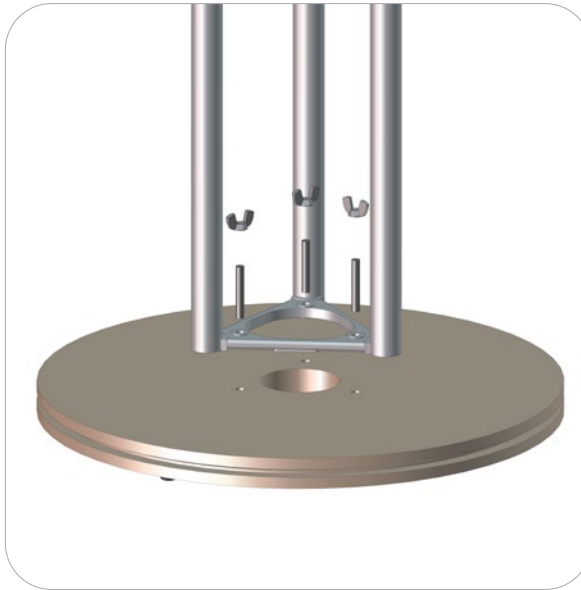


Kit Assembly

Step by Step

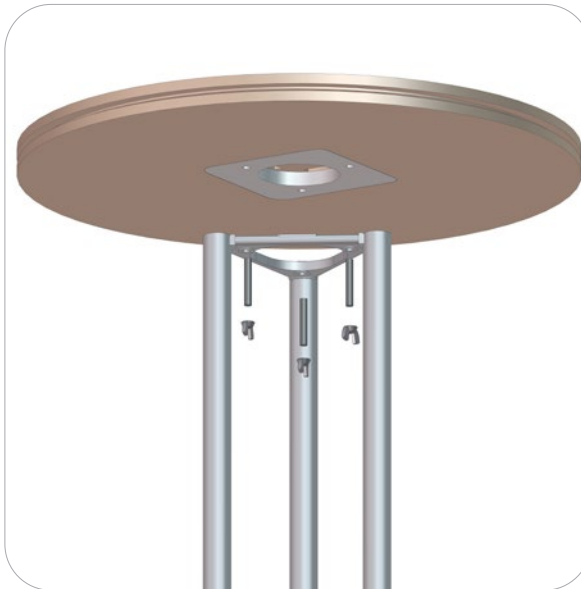
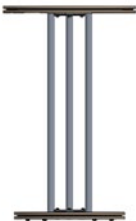
Step 1.

Locate your FMLT-CHRG-01-BASE and TRI-30-COUNTER. Locate (3) SET SCRW 5/16x18x2 and (3) 5/16-18 FLANGE WINGNUTS. Hand thread and tighten the set screws through the three holes of TRI-30-COUNTER and into the three holes of the base. Hand tighten your wingnuts to fasten the TRI-30-COUNTER to your base.



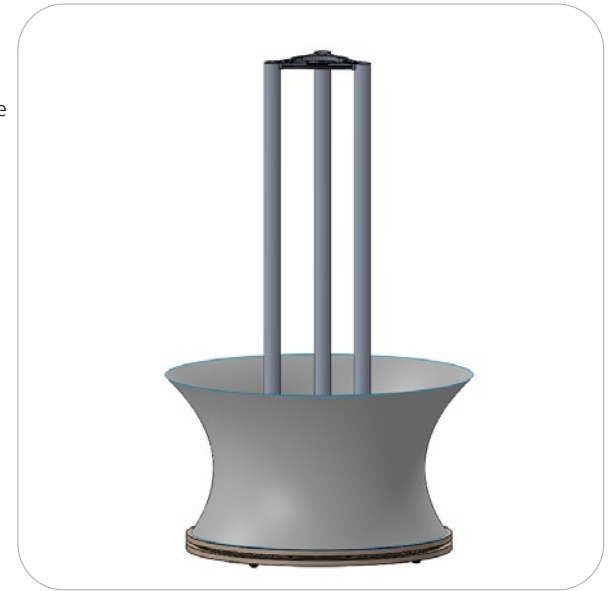
Step 3.

Locate your counter top. Locate (3) SET SCRW 5/16x18x2 and (3) 5/16-18 FLANGE WINGNUTS. Hand thread and tighten the set screws through the three holes of TRI-30-COUNTER and into the three holes of the Counter Top. Hand tighten your wingnuts to fasten the TRI-30-COUNTER to your Counter Top.



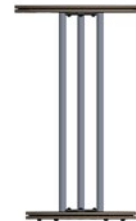
Step 4.

Locate your USB Cables. Thread the cable through the holes of the Counter Top, TRI-30-COUNTER, and Base.



Step 4.

Locate your USB Cables. Thread the cable through the holes of the Counter Top, TRI-30-COUNTER, and Base.

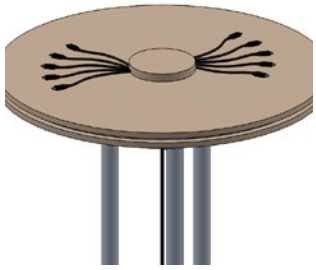


Kit Assembly

Step by Step

Step 5.

Use the Counter Top Cap to lock your USB cables into place.



Step 6.

Push the silicone edges of the graphic into the grooves of the counter top and counter base.

